



Tapping Colours 2-in-1 Xylophone

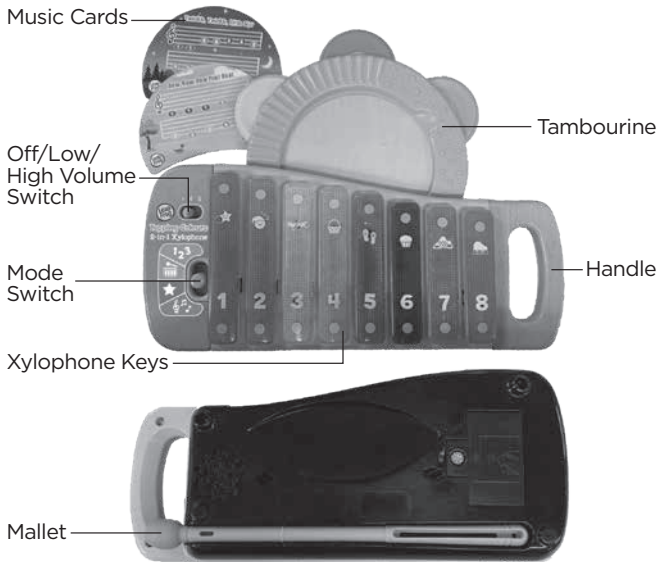


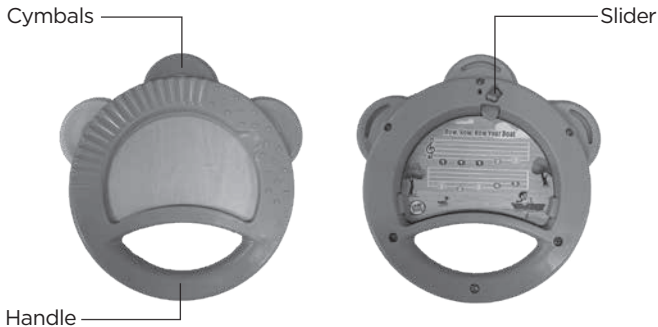
Instruction Manual

This manual contains important information. Please keep it for future reference.

INTRODUCTION

Thank you for purchasing the **Tapping Colours 2-in-1 Xylophone**. Strike up the band with learning and lights! Remove the wooden tambourine from the xylophone so a friend can join the band. Tap the eight light-up keys with the mallet to learn colours and numbers. Practise the scales with three different instrument sounds. Follow the lights to play eight well-loved melodies. Jam along to the background music. Follow the included sheet music to play four familiar melodies.





INCLUDED IN THE PACKAGE

- Tapping Colours 2-in-1 Xylophone
- Mallet
- Tambourine
- 2 Music Cards
- Quick Start Guide

WARNING

All packing materials such as tape, plastic sheets, packaging locks, removable tags, cable ties, cords and packaging screws are not part of this toy and should be discarded for your child's safety.

NOTE

Please save this Instruction Manual as it contains important information.

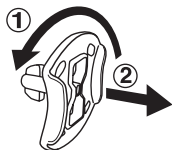
NOTE

Please ask us about the availability of FSC Products.

Warning. Do not use close to the ear! Misuse may cause damage to hearing.

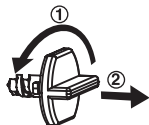
Unlock the Packaging Locks

- ① Rotate the packaging locks 90 degrees anticlockwise.
- ② Pull out the packaging locks and discard.



Unlock the Packaging Lock

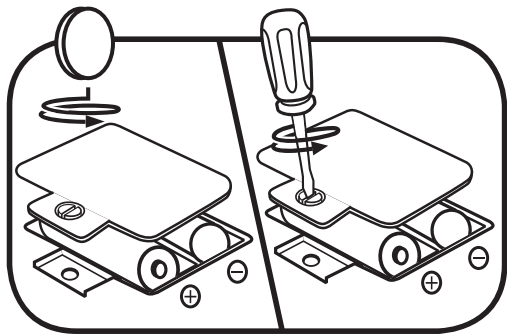
- ① Rotate the packaging lock anticlockwise several times.
- ② Pull out and discard the packaging lock.



GETTING STARTED

BATTERY REMOVAL AND INSTALLATION

1. Make sure the unit is turned **Off**.
2. Find the battery cover located on the back of the unit, use a screwdriver to loosen the screw, and then open the battery cover.
3. Remove old batteries by pulling up on one end of each battery.
4. Install 2 new AA (AM-3/LR6) batteries following the diagram inside the battery box. (For best performance, alkaline batteries or fully charged Ni-MH rechargeable batteries are recommended.)
5. Replace the battery cover and tighten the screw to secure.



IMPORTANT: BATTERY INFORMATION

- Insert batteries with the correct polarity (+ and -).
- Do not mix old and new batteries.
- Do not mix alkaline, standard (carbon-zinc) or rechargeable batteries.
- Only batteries of the same or equivalent type as recommended are to be used.
- Do not short-circuit the supply terminals.
- Remove batteries during long periods of non-use.
- Remove exhausted batteries from the toy.
- Dispose of batteries safely. Do not dispose of batteries in fire.

RECHARGEABLE BATTERIES:

- Remove rechargeable batteries from the toy before charging.
- Rechargeable batteries are only to be charged under adult supervision.
- Do not charge non-rechargeable batteries.

Disposal of batteries and product



The crossed-out wheellie bin symbols on products and batteries, or on their respective packaging, indicates they must not be disposed of in domestic waste as they contain substances that can be damaging to the environment and human health.



The chemical symbols Hg, Cd or Pb, where marked, indicate that the battery contains more than the specified value of mercury (Hg), cadmium (Cd) or lead (Pb) set out in the Batteries and Accumulators Regulation.

The solid bar indicates that the product was placed on the market after 13th August, 2005.

Help protect the environment by disposing of your product or batteries responsibly.

LeapFrog® cares for the planet.

Care for the environment and give your toy a second life by disposing of it at a small electricals collection point so all its materials can be recycled.

In the UK:

Visit www.recyclenow.com to see a list of collection points near you.

In Australia & New Zealand:

Check with your local council for kerbside collections.

NOTE

If the unit powers down or if the light fades out during play, please install a new set of batteries.



PRODUCT FEATURES

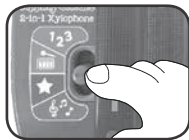
1. Off/Low/High Volume Switch

To turn the unit **On**, slide the **Off/Low/High Volume Switch** to the Low » or High » position. To turn the unit **Off**, slide the **Off/Low/High Volume Switch** to the Off ● position.



2. Mode Switch

Slide to the **Mode Switch** to choose Learn mode 123, Instruments mode , Game mode ★ or Jam Along mode .



3. Light-Up Keys & Mallet

Remove the **Mallet** from the back of the unit. Then, tap any of the eight light-up **Xylophone Keys**.



4. Handle

The built-in **Handle** on the xylophone makes it easy to carry.



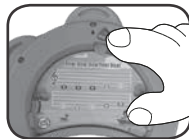
5. Tambourine

Remove the tambourine from the slot in the top of the xylophone. Then shake it or tap the wooden centre to play rhythms. Invite a friend to play music together!



6. Music Cards

Place one of the two double-sided **Music Cards** in the wooden centre of the tambourine while it's inserted in the xylophone. Then follow the numbered or different colour notes to play the melody. Secure and store the **Music Cards** in the back of the tambourine with the **Slider**.



7. Automatic Shut-Off

To preserve battery life, the **Tapping Colours 2-in-1 Xylophone** will automatically shut off after approximately 60 seconds without input. The unit can be turned on again by sliding the **Mode Switch** or tapping one of the **Xylophone Keys**.

ACTIVITIES

1. Learn Mode

Move the **Mode Switch** to Learn mode, then tap the keys to learn about colour names or numbers. Each time the mode is selected, it alternates playing Numbers or Colours. If the tambourine is inserted, you will also hear a background tune.



2. Instruments Mode

Move the **Mode Switch** to Instruments mode. Tap the keys to hear one of three instrument names and sounds: xylophone, glockenspiel or strings. If the tambourine is inserted, you will also hear a background tune.



3. Game Mode

Move the **Mode Switch** to Game mode. Press any of the eight light-up **Xylophone Keys** to learn eight well-known children's melodies. Follow the lights to play a melody by striking the keys in order. The key numbers indicate increasing levels of challenge in playing back the tunes. When all the notes of the tune have been played, you will hear the full melody played back.



4. Jam Along Mode

Move the **Mode Switch** to Jam Along mode, then tap the keys to jam along to nine original tunes. Remove the tambourine and shake or tap it to add your own rhythms. Invite a friend to join the band!



MELODIES

1. Twinkle, Twinkle, Little Star 🌟
2. Frère Jacques 🧘
3. Row, Row, Row Your Boat 🚣
4. A Tisket, A Tasket 🧺
5. Looby Loo 🥁
6. The Muffin Man 🧁
7. On Top of Old Smokey 🏠
8. Chop Waltz 🎹

SONG LYRICS

Xylophone Song

Playing music on my xylophone.
Grab a tambourine and play along!

CARE & MAINTENANCE

1. Keep the unit clean by wiping it with a slightly damp cloth.
2. Keep the unit out of direct sunlight and away from any direct heat sources.
3. Remove the batteries if the unit will not be in use for an extended period of time.
4. Do not drop the unit on hard surfaces and do not expose the unit to moisture or water.

TROUBLESHOOTING

If for some reason the unit stops working or malfunctions, please follow these steps:

1. Turn the unit **Off**.
2. Interrupt the power supply by removing the batteries.
3. Let the unit stand for a few minutes, then replace the batteries.
4. Turn the unit **On**. The unit should now be ready to use again.
5. If the unit still does not work, install a new set of batteries.

Environmental Phenomena

The unit may malfunction if subjected to radio-frequency interference. It should revert to normal operation when the interference stops. If not, it may become necessary to turn the power **off** and back **on**, or remove and reinstall the batteries. In the unlikely event of an electrostatic discharge, the unit may malfunction and lose memory, requiring the user to reset the device by removing and reinstalling the batteries.

CONSUMER SERVICES

Creating and developing **LeapFrog®** products is accompanied by a responsibility that we at **LeapFrog®** take very seriously. We make every effort to ensure the accuracy of the information, which forms the value of our products. However, errors sometimes can occur. It is important for you to know that we stand behind our products and encourage you to call our Consumer Services Department with any problems and/or suggestions that you might have. A service representative will be happy to help you.

UK Customers:

Phone: 01702 200244 (from UK) or +44 1702 200244 (outside UK)

Website: www.leapfrog.co.uk/support

Australian Customers:

Phone: 1800 862 155

Website: support.leapfrog.com.au

NZ Customers:

Phone: 0800 400 785

Website: support.leapfrog.com.au

PRODUCT WARRANTY/ CONSUMER GUARANTEES

UK Customers:

Read our complete warranty policy online at leapfrog.com/warranty.

Australian Customers:

VTECH ELECTRONICS (AUSTRALIA) PTY LIMITED -
CONSUMER GUARANTEES

Under the Australian Consumer Law, a number of consumer guarantees apply to goods and services supplied by VTech Electronics (Australia) Pty Limited. Please refer to leapfrog.com/en-au/legal/warranty for further information.



*Visit our website for more
information about our products,
downloads, resources and more.*

leapfrog.com

LeapFrog Enterprises, Inc.,
A subsidiary of VTech Holdings Limited.
TM & © 2022 LeapFrog Enterprises, Inc.
All rights reserved.

Printed in China
IM-615600-001
Version:0