



# Learn & Groove Caterpillar Drums



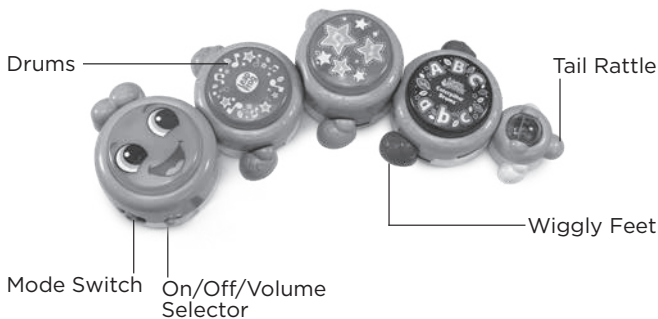
## Parent's Guide

This guide contains important information. Please keep it for future reference.

91-003804-000 (UK)

# INTRODUCTION

Thank you for purchasing the **Learn & Groove Caterpillar Drums!** Explore three play modes, six musical activities and 28 drum sounds in this interactive drum toy that teaches music, ABCs and counting. The caterpillar character makes learning fun with a movable body and wiggly feet. Kids can play along to classical music and 14 children's melodies or create new beats. Get in the learning groove!



## INCLUDED IN THIS PACKAGE

- Learn & Groove Caterpillar Drums
- Parent's guide

### WARNING

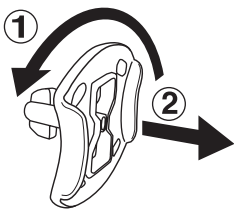
All packing materials such as tape, plastic sheets, packaging locks, removable tags, cable ties and packaging screws are not part of this toy, and should be discarded for your child's safety.

### NOTE

Please keep this parent's guide as it contains important information.

### Unlock the Packaging Locks

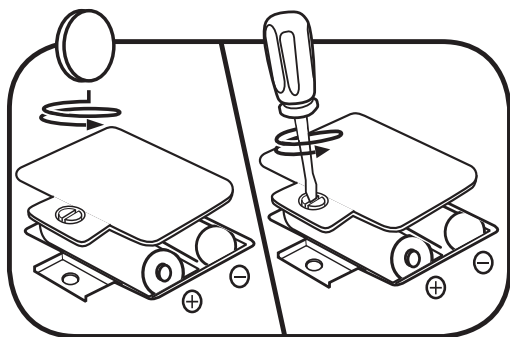
- ① Rotate the packaging locks 90 degrees anticlockwise.
- ② Pull out the packaging locks and discard.



# GETTING STARTED

## BATTERY REMOVAL AND INSTALLATION

1. Make sure the unit is turned **Off**.
2. Locate the battery cover on the bottom of the unit and use a screwdriver to loosen the screw and open the battery cover.
3. Remove old batteries by pulling up on one end of each battery.
4. Install 2 new AA (AM-3/LR6) batteries following the diagram inside the battery box.
5. Replace the battery cover and tighten the screw to secure.



## BATTERY NOTICE

- Use new alkaline batteries for maximum performance.
- Use only batteries of the same or equivalent type as recommended.
- Do not mix different types of batteries: alkaline, standard (carbon-zinc) or rechargeable, or new and used batteries.
- Do not use damaged batteries.
- Insert batteries with the correct polarity (+ and -).
- Do not short-circuit the battery terminals.
- Remove exhausted batteries from the toy.
- Remove batteries during long periods of non-use.
- Do not dispose of batteries in fire.
- Do not charge non-rechargeable batteries.
- Remove rechargeable batteries from the toy before charging (if removable).
- Rechargeable batteries are only to be charged under adult supervision.

## Disposal of batteries and product



The crossed-out wheellie bin symbols on products and batteries, or on their respective packaging, indicates they must not be disposed of in domestic waste as they contain substances that can be damaging to the environment and human health.

The chemical symbols Hg, Cd or Pb, where marked, indicate that the battery contains more than the specified value of mercury (Hg), cadmium (Cd) or lead (Pb) set out in Battery Directive (2006/66/EC).



The solid bar indicates that the product was placed on the market after 13th August, 2005.

Help protect the environment by disposing of your product or batteries responsibly.

For more information, please visit:

[www.recycle-more.co.uk](http://www.recycle-more.co.uk)

[www.recyclenow.com](http://www.recyclenow.com)

# PRODUCT FEATURES

## 1. On/Off/Volume Selector

Locate the **On/Off/Volume Selector** under the caterpillar's chin. Slide it to turn the toy on and select the sound level.



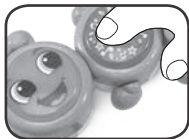
## 2. Mode Switch

Locate the **Mode Switch** near the **On/Off/Volume Selector**. Slide it to activate Jam Session, Songs or Learn mode.



## 3. Drums

Press any of the **Drums** to hear fun sounds, music and singing.



## 4. Tail Rattle

Spin the **Tail Rattle** for non-electronic percussion sounds.



## 5. Wiggly Feet

Press any of the drums to make the caterpillar wiggle its feet.



## 6. Automatic Shut off

To preserve battery life, the **Learn & Groove Caterpillar Drums** will automatically shut off after approximately 35 seconds without input. The unit can be turned on again by pressing any drum.

### NOTE

If the unit powers down or if the light fades out during play, please install a new set of batteries.

## ACTIVITIES

### 1. Jam Session Mode

First, select your drum sound: drums with music, silly sounds, animal sounds or drum solo. Then press the drums to explore the music and create your own beats!



### 2. Songs Mode

Press any drum to play a favourite children's song or a classical music piece. Some songs are played note by note, and others phrase by phrase.

After the first song, you have the option to play the Challenge mode. Select to play, then follow along and press the flashing lights to play the songs.



### 3. Learn Mode

Enjoy four activities in Learn mode:

#### 1. Count-a-pillar:

Press the drums as they light up. Try to get to 20 before the music stops!



## 2. Tempo:

Press the drums to speed up or slow down the melody of “Head, Shoulders, Knees and Toes”! The drum on the far left plays at the slowest tempo. The music speeds up as you press the drums moving to the right.

## 3. Musical Scale:

Press any drum to play the musical scale. After the first song is finished, you have the option to play the Challenge mode. Select to play, then follow along and press the flashing lights to play the song.

## 4. ABC Song:

Press any drum to play the ABC song. After the first song, you have the option to play the Challenge mode. Select to play, then follow along and press the flashing lights to play the song.

## MELODIES AND SONGS

1. Old MacDonald Had a Farm
2. Twinkle, Twinkle, Little Star
3. The Incy Wincy Spider
4. Frère Jacques
5. Beethoven’s “Ode to Joy”
6. Vivaldi’s “Spring”
7. Rossini’s “William Tell Overture”
8. Bingo
9. Mary Had a Little Lamb
10. The Muffin Man
11. The Wheels on the Bus
12. Counting to 10
13. Five Little Monkeys Jumping on the Bed
14. Head, Shoulders, Knees and Toes
15. Musical Scale
16. ABC Song



## CARE & MAINTENANCE

1. Keep the unit clean by wiping it with a slightly damp cloth.
2. Keep it out of direct sunlight and away from direct sources of heat.
3. Remove the batteries when the unit is not in use for an extended period of time.
4. Do not drop the unit on a hard surface and do not expose the unit to excess moisture.

To avoid injuries, do not insert hands, feet or other body parts into the holes on the ladder or between the ladder and the fire engine body. Adult supervision is recommended.





## CONSUMER SERVICES

Creating and developing **LeapFrog®** products is accompanied by a responsibility that we at **LeapFrog®** take very seriously. We make every effort to ensure the accuracy of the information, which forms the value of our products. However, errors sometimes can occur. It is important for you to know that we stand behind our products and encourage you to call our Consumer Services Department with any problems and/or suggestions that you might have. A service representative will be happy to help you.

### **UK Customers:**

Phone: 01702 200244 (from UK) or +44 1702 200244 (outside UK)

Website: [www.leapfrog.co.uk/support](http://www.leapfrog.co.uk/support)

### **Australian Customers:**

Phone: 1800 862 155

Website: [support.leapfrog.com.au](http://support.leapfrog.com.au)

### **NZ Customers:**

Phone: 0800 400 785

Website: [support.leapfrog.com.au](http://support.leapfrog.com.au)

## PRODUCT WARRANTY/ CONSUMER GUARANTEES

### **UK Customers:**

Read our complete warranty policy online at [leapfrog.com/warranty](http://leapfrog.com/warranty).

### **Australian Customers:**

VTECH ELECTRONICS (AUSTRALIA) PTY LIMITED -  
CONSUMER GUARANTEES

Under the Australian Consumer Law, a number of consumer guarantees apply to goods and services supplied by VTech Electronics (Australia) Pty Limited. Please refer to [leapfrog.com/en-au/legal/warranty](http://leapfrog.com/en-au/legal/warranty) for further information.



*Visit our website for more  
information about our products,  
downloads, resources and more.*

***leapfrog.com***

LeapFrog Enterprises, Inc.,  
A subsidiary of VTech Holdings Limited.  
TM & © 2020 LeapFrog Enterprises, Inc.  
All rights reserved.  
91-003804-000 (UK)