



Learn & Groove®
Thumpin' Numbers Drum™



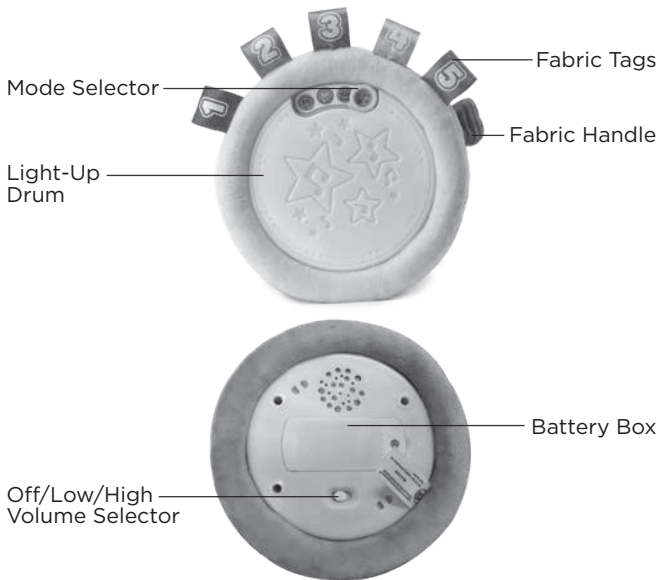
Instruction Manual

This manual contains important information. Please save it for future reference.

91-003940-000 US/CA

INTRODUCTION

Thank you for purchasing the **Learn & Groove® Thumpin' Numbers Drum™**! Designed to stimulate infants' developing senses, this fun light-up drum is wrapped in brightly colored printed patterns and textured fabric with a soft rim, fabric tags with printed numbers, and a sensitive drum surface that responds to every tap. Explore four ways to play and learn about colors and counting in English and Spanish. Tap along to the music in Drum Solo mode and enjoy children's melodies in Music mode. Get in the learning groove!



INCLUDED IN THE PACKAGE

- Learn & Groove® Thumpin' Numbers Drum™
- Quick Start Guide

WARNING

All packing materials such as tape, plastic sheets, packaging locks, removable tags, cable ties and packaging screws are not part of this toy, and should be discarded for your child's safety.

NOTE

Please save this Instruction Manual as it contains important information.

ATTENTION

Pour la sécurité de votre enfant, débarrassez-vous de tous les produits d'emballage tels que rubans adhésifs, feuilles de plastique, attaches, étiquettes et vis d'emballage. Ils ne font pas partie du jouet.

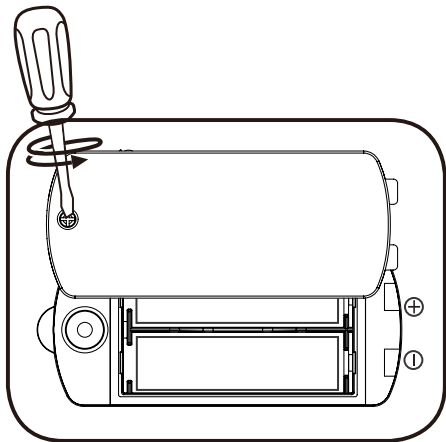
NOTE

Il est conseillé de sauvegarder ce manuel d'instructions car il comporte des informations importantes.

GETTING STARTED

BATTERY REMOVAL AND INSTALLATION

1. Make sure the unit is turned **Off**.
2. Find the battery cover located on the back of the unit, use a screwdriver to loosen the screw and then open the battery cover
3. Remove old batteries by pulling up on one end of each battery.
4. Install 2 new AA (AM-3/LR6) batteries following the diagram inside the battery box. (For best performance, alkaline batteries or fully charged Ni-MH rechargeable batteries are recommended.)
5. Replace the battery cover and tighten the screw to secure.





WARNING:

Adult assembly required for battery installation.
Keep batteries out of reach of children.



ATTENTION :

Les piles ou accumulateurs doivent être installés par un adulte. Tenir les piles ou accumulateurs hors de portée des enfants.

IMPORTANT: BATTERY INFORMATION

- Insert batteries with the correct polarity (+ and -).
- Do not mix old and new batteries.
- Do not mix alkaline, standard (carbon-zinc) or rechargeable batteries.
- Only batteries of the same or equivalent type as recommended are to be used.
- Do not short-circuit the supply terminals.
- Remove batteries during long periods of non-use.
- Remove exhausted batteries from the toy.
- Dispose of batteries safely. Do not dispose of batteries in fire.

RECHARGEABLE BATTERIES

- Remove rechargeable batteries from the toy before charging.
- Rechargeable batteries are only to be charged under adult supervision.
- Do not charge non-rechargeable batteries.

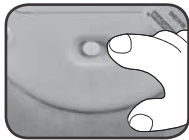
NOTE

This product is in Try-Me mode in the packaging. After opening the package, slide the **Off/Low/High Volume Selector** switch to the **Off** position, then slide the **Off/Low/High Volume Selector** switch to the **On** position. If the unit powers down while playing, please install a new set of batteries.

PRODUCT FEATURES

1. Off/Low/High Volume Selector

To turn the unit **On**, slide the **Off/Low/High Volume Selector** to the **Low** » or **High** » position. To turn the unit **Off**, slide the **Off/Low/High Volume Selector** to the **Off** ● position.



2. Mode Selector

Slide to choose among four play modes:

English Learning Mode (EN)

Explore colors and numbers in English.

Spanish Learning Mode (SP)

Explore colors and numbers in Spanish.

Drum Solo Mode (🥁)

Tap the drum along to the music.

Music Mode (🎵)

Tap along to children's melodies.



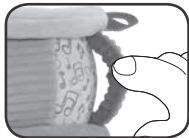
3. Colorful Fabrics and Textures

Brightly colored fabrics show patterns and images of drums for visual stimulation. The textured and numbered ribbon **Fabric Tags** foster tactile development. Soft plush encourages snuggling during play.



4. Fabric Handle

The built-in **Fabric Handle** on the drum makes it easy to carry.



5. Automatic Shut-off

To preserve battery life, the **Learn & Groove® Thumpin' Numbers Drum™** will automatically shut off after approximately 35 seconds without input. The unit can be turned on again by sliding the **Mode Selector**.

NOTE

If the unit powers down or if the light fades out during play, please install a new set of batteries.

ACTIVITIES

1. English Learning Mode

Move the **Mode Selector** to English mode, then tap the drum to learn color names in English that match the **Fabric Tags** and see the drum light up to match. Learn to count from 1-10 with each tap of the drum and hear the Counting to Ten song in English.



2. Spanish Learning Mode

Move the **Mode Selector** to Spanish mode, then tap the drum to learn color names in Spanish that match the **Fabric Tags** and see the drum light up to match. Learn to count from 1-10 with each tap of the drum and hear the Counting to Ten song in Spanish.



3. Drum Solo Mode

Move the **Mode Selector** to Drum Solo mode, then drum along to Latin, reggae and pop melodies and play with different percussion sounds.



4. Music Mode

Move the **Mode Selector** to Music mode, then tap to the beat of 12 children's melodies while the drum changes colors to the beat of the music.



MELODIES

1. La Cucaracha
2. If You're Happy and You Know It
3. John Jacob Jingleheimer Schmidt
4. Bingo
5. Mexican Hat Dance
6. A-Tisket A-Tasket
7. The Wheels on the Bus
8. Skip to My Lou
9. The Itsy Bitsy Spider
10. Head, Shoulders, Knees and Toes
11. Looby Loo
12. Are You Sleeping?

SONG LYRICS

Drum Song (English)

What's that?

Do you hear the sound?

With a little funky rhythm we'll be banging along

(We're gonna) Rat-a-tat-tat, brr-um-bah-bum!

Play and learn on my favorite drum.

Drum Song/Canción del Tambor (Spanish/Español)

¿Qué tal?

¿Oyes el tambor?

Con un ritmo alegre tocaremos tú y yo.

Haremos ratatatán, porroom, pompón.

¡Aprendemos tocando el tambor!

Counting to Ten Song (English)

Let's count to ten

Keeping the beat

Beat the drum

And tap your feet

That's 1, 2, 3...4, 5, 6...7, 8, 9, 10

Let's do it again!

Counting to Ten Song/Contemos hasta diez (Spanish/Español)

Cuenta hasta diez

con tu tambor

y al tocar mueve los pies:

1, 2, 3...4, 5, 6,

7, 8, 9, 10.

¡Cuenta otra vez!

CARE & MAINTENANCE

1. Keep the unit clean by wiping it with a slightly damp cloth.
2. Keep the unit out of direct sunlight and away from any direct heat sources.
3. Remove the batteries if the unit will not be in use for an extended period of time.
4. Do not drop the unit on hard surfaces and do not expose the unit to moisture or water.

TROUBLESHOOTING

If for some reason the unit stops working or malfunctions, please follow these steps:

1. Turn the unit **Off**.
2. Interrupt the power supply by removing the batteries.
3. Let the unit stand for a few minutes, then replace the batteries.
4. Turn the unit **On**. The unit should now be ready to use again.
5. If the unit still does not work, install a new set of batteries.

Environmental Phenomena

The unit may malfunction if subjected to radio-frequency interference. It should revert to normal operation when the interference stops. If not, it may become necessary to turn the power **off** and back **on**, or remove and reinstall the batteries. In the unlikely event of an electrostatic discharge, the unit may malfunction and lose memory, requiring the user to reset the device by removing and reinstalling the batteries.

Impact de l'environnement

Une défaillance de fonctionnement de l'appareil peut survenir s'il est sujet à des interférences avec les fréquences radioélectriques. Le fonctionnement normal de l'appareil devrait reprendre avec l'arrêt des interférences. Si ce n'est pas le cas, il peut s'avérer nécessaire d'éteindre et rallumer l'appareil ou de retirer et réinstaller les piles. Dans l'éventualité peu probable d'une décharge électrostatique, un mauvais fonctionnement et une perte de mémoire de l'appareil peuvent se produire. L'utilisateur doit alors retirer et réinstaller les piles pour réinitialiser l'appareil.

NOTE

This equipment has been tested and found to comply with the limits for a Class B digital device, pursuant to Part 15 of the FCC Rules. These limits are designed to provide reasonable protection against harmful interference in a residential installation. This equipment generates, uses and can radiate radio frequency energy and, if not installed and used in accordance with the instructions, may cause harmful interference to radio communications. However, there is no guarantee that interference will not occur in a particular installation. If this equipment does cause harmful interference to radio or television reception, which can be determined by turning the equipment off and on, the user is encouraged to try to correct the interference by one or more of the following measures:

- Reorient or relocate the receiving antenna.
- Increase the separation between the equipment and receiver.

- Connect the equipment into an outlet on a circuit different from that to which the receiver is connected.
- Consult the dealer or an experienced radio/TV technician for help.

CAUTION

Changes or modifications not expressly approved by the party responsible for compliance could void the user's authority to operate the equipment.

IMPORTANT NOTE:

If the problem persists, please call our **Consumer Services Department** at **1-800-701-5327** in the U.S. and Canada, or email **support@leapfrog.com**. Creating and developing LeapFrog products is accompanied by a responsibility that we take very seriously. We make every effort to ensure the accuracy of the information, which forms the value of our products. However, errors sometimes can occur. It is important for you to know that we stand behind our products and encourage you to contact us with any problems and/or suggestions you might have. A service representative will be happy to help you.

Supplier's Declaration of Conformity

47 CFR § 2.1077 Compliance Information

Trade Name: LeapFrog®
Model: 6125
Product Name: Learn & Groove® Thumpin' Numbers Drum™
Responsible Party: LeapFrog Enterprises, Inc.
Address: 2200 Powell St., Suite 500
Emeryville, CA 94608
Website: leapfrog.com

THIS DEVICE COMPLIES WITH PART 15 OF THE FCC RULES. OPERATION IS SUBJECT TO THE FOLLOWING TWO CONDITIONS: (1) THIS DEVICE MAY NOT CAUSE HARMFUL INTERFERENCE, AND (2) THIS DEVICE MUST ACCEPT ANY INTERFERENCE RECEIVED, INCLUDING INTERFERENCE THAT MAY CAUSE UNDESIRED OPERATION.

CAN ICES-003 (B)/NMB-003(B)



**Visit our website for more
information about our products,
downloads, resources and more.**

leapfrog.com
leapfrog.ca

**Read our complete warranty policy online at
*leapfrog.com/legal***

LeapFrog Enterprises, Inc.,
A subsidiary of VTech Holdings Limited.
TM & © 2021 LeapFrog Enterprises, Inc.
All rights reserved.

Printed in China.

91-003804-002 (US) (CA)