




100 Words About Places I Go™



Parent's Guide

This guide contains important information. Please keep it for future reference.

91-003937-001 

INTRODUCTION

Thank you for purchasing the **100 Words About Places I Go™**. Get ready to explore more than one hundred words in English and French! Learn about words in 12 categories, sing along to learning songs and play fun sound effects while building vocabulary—an important skill linked to future reading success.



INCLUDED IN THIS PACKAGE

- 100 Words About Places I Go™
- Parent's guide

WARNING

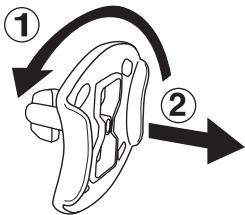
All packing materials such as tape, plastic sheets, packaging locks, removable tags, cable ties, cords and packaging screws are not part of this toy, and should be discarded for your child's safety.

NOTE

Please keep this parent's guide as it contains important information.

Unlock the Packaging Locks

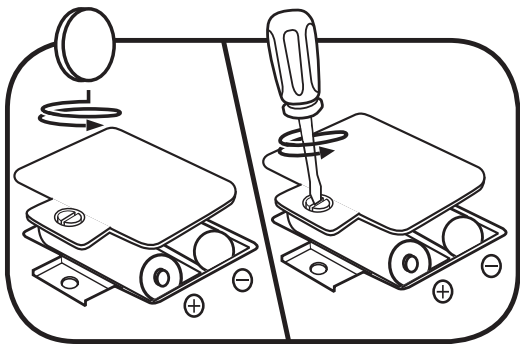
- ① Rotate the packaging lock 90 degrees anticlockwise.
- ② Pull out the packaging lock and discard.



GETTING STARTED

BATTERY INSTALLATION

1. Make sure the unit is turned **Off**.
2. Find the battery cover located on the back of the unit, use a screwdriver to loosen the screw and then open the battery cover.
3. Remove old batteries by pulling up on one end of each battery.
4. Install 2 new AA AM-3/LR6 batteries following the diagram inside the battery cover.
5. Replace the battery cover and tighten the screw to secure.



BATTERY NOTICE

- Use new alkaline batteries for maximum performance.
- Use only batteries of the same or equivalent type as recommended.
- Do not mix different types of batteries: alkaline, standard (carbon-zinc) or rechargeable, or new and used batteries.
- Do not use damaged batteries.
- Insert batteries with the correct polarity (+ and -).
- Do not short-circuit the battery terminals.
- Remove exhausted batteries from the toy.
- Remove batteries during long periods of non-use.
- Do not dispose of batteries in fire.
- Do not charge non-rechargeable batteries.
- Remove rechargeable batteries from the toy before charging (if removable).
- Rechargeable batteries are only to be charged under adult supervision.

WARNING:

Adult assembly required for battery installation.
Keep batteries out of reach of children.

Disposal of batteries and product



The crossed-out wheellie bin symbols on products and batteries, or on their respective packaging, indicates they must not be disposed of in domestic waste as they contain substances that can be damaging to the environment and human health.



The chemical symbols Hg, Cd or Pb, where marked, indicate that the battery contains more than the specified value of mercury (Hg), cadmium (Cd) or lead (Pb) set out in Battery Directive (2006/66/EC).



The black bar indicates that the product was placed on the market after 13th August, 2005.

Help protect the environment by disposing of your product or batteries responsibly.

For more information, please visit:

www.recycle-more.co.uk

www.recyclenow.com

PRODUCT FEATURES

1. Off/Low/High Volume Selector

Slide the **Off/Low/High Volume Selector** to turn the unit **On** and select the volume.



2. Music Button

Press the **Music Button** anytime to hear two learning songs in English or in French.



3. Language Switch

Slide the **Language Switch** to hear the book in English or in French.



4. Mode Selector

Slide the **Mode Selector** to choose Word mode, Colours & Counting mode or Fun Sounds mode.



5. Automatic Shut-Off

To preserve battery life, the **100 Words About Places I Go™** book will automatically shut off after approximately 30 seconds without input. Open the book or slide the **Mode Selector** to turn the unit on again.

ACTIVITIES

1. Word Mode

Slide the **Mode Selector** to the top for Word mode. Press pictures on the book pages to learn about words and people from 12 neighbourhood places.

2. Colours & Counting Mode

Slide the **Mode Selector** to the middle position for Colours & Counting mode. Press pictures on the book pages to practise counting and identify the colours of different objects.

3. Fun Sounds Mode

Slide the **Mode Selector** to the bottom position for Fun Sounds mode. Press pictures on the book pages to hear music and sound effects.

4. Music

Press the light up **Music Button** to hear two learning songs.

5. Language Play

Slide the English/French **Language Switch** to hear the songs, directions and picture words in English or French.

CARE & MAINTENANCE

1. Keep the unit clean by wiping it with a slightly damp cloth.
2. Keep the unit out of direct sunlight and away from direct heat sources.
3. Remove the batteries if the unit will not be in use for an extended period of time.
4. Avoid dropping the unit and never try to dismantle it.
5. Do not drop the unit on hard surfaces and do not expose the unit to moisture or water.

TROUBLESHOOTING

If for some reason the unit stops working or malfunctions, please follow these steps:

1. Turn the unit **Off**.
2. Interrupt the power supply by removing the batteries.
3. Let the unit stand for a few minutes, then replace the batteries.
4. Turn the unit back **On**. The unit should now be ready to play again.
5. If the unit still does not work, replace with an entire set of new batteries.

Environmental phenomena

The unit may malfunction if subjected to radio-frequency interference. It should revert to normal operation when the interference stops. If not, it may become necessary to turn the power **OFF** and back **ON**, or remove and reinstall the batteries. In the unlikely event of an electrostatic discharge, the unit may malfunction and lose memory, requiring the user to reset the device by removing and reinstalling the batteries.

CONSUMER SERVICES

Creating and developing **LeapFrog®** products is accompanied by a responsibility that we at **LeapFrog®** take very seriously. We make every effort to ensure the accuracy of the information, which forms the value of our products. However, errors sometimes can occur. It is important for you to know that we stand behind our products and encourage you to call our Consumer Services Department with any problems and/or suggestions that you might have. A service representative will be happy to help you.

UK Customers:

Phone: 01702 200244 (from UK) or +44 1702 200244 (outside UK)

Website: www.leapfrog.co.uk/support

Australian Customers:

Phone: 1800 862 155

Website: support.leapfrog.com.au

NZ Customers:

Phone: 0800 400 785

Website: support.leapfrog.com.au

PRODUCT WARRANTY/ CONSUMER GUARANTEES

UK Customers:

Read our complete warranty policy online at leapfrog.com/warranty.

Australian Customers:

VTECH ELECTRONICS (AUSTRALIA) PTY LIMITED -
CONSUMER GUARANTEES

Under the Australian Consumer Law, a number of consumer guarantees apply to goods and services supplied by VTech Electronics (Australia) Pty Limited. Please refer to leapfrog.com/en-au/legal/warranty for further information.



***Visit our website for more
information about our products,
downloads, resources and more.***

leapfrog.com

LeapFrog Enterprises, Inc.
A subsidiary of VTech Holdings Limited.
TM & © 2021 LeapFrog Enterprises, Inc.
All rights reserved.
91-003937-001 