



5" High Definition Wi-Fi Pan & Tilt Monitor

LF4915HD



Parent Guide

This guide contains important information. Please keep it for future reference.

Visit our website
www.leapfrog.com/en-gb/support
for more information about products, downloads,
resources and more.

Read our complete warranty policy online at
www.leapfrog.com/en-gb/legal.



Scan the QR code
for more online
support:



Or go to www.leapfrog.com/en-gb/support

Important Safety Instructions

The applied nameplate is located at the bottom of the Baby Unit base.

When in use, basic safety precautions should always be followed to reduce the risk of fire, electric shock and injury, including the following:

- Follow all warnings and instructions marked on the product.
- Adult setup is required.
- CAUTION:** Do not install the Baby Unit at a height above 2 metres.
- This product is intended as an aid. It is not a substitute for responsible and proper adult supervision and should not be used as such.
- This product is not intended for use as a medical monitor.
- Do not use this product near water, for example, near to a bath, sink, swimming pool or shower.
- CAUTION:** Use only the internal, non-user replaceable battery fitted to the Parent Viewer. There may be a risk of explosion if a wrong type of battery is used for the Parent Viewer. The battery cannot be subjected to high or low extreme temperature and low air pressure at high altitude during use, storage or transportation. Disposal of batteries in fire or a hot oven, mechanically crushing or cutting the battery can result in an explosion. Subjecting products or batteries to an extremely high temperature environment can result in explosion or leakage of flammable liquids, or gas. Products or batteries subjected to extremely low air pressures may result in explosion or leakage of flammable liquids, or gas.
- Use only the power adaptors supplied with this product. Incorrect power adaptor polarity or voltage can seriously damage the product.

Power adaptor information:

Baby Unit output: 5V DC 1.5A;
V-Tech Telecommunications Ltd.;
Model: VT07EUK05150
-OR-
Shenzhen Aoda Power Technology Co Ltd.
Model: A938-050150W-UK1

Parent Viewer output: 5V DC 2A;
V-Tech Telecommunications Ltd.;
Model: VT07EUK05200

-OR-
Shenzhen Aoda Power Technology Co Ltd.
Model: A938-050200W-UK1
The Parent Viewer USB-C charger power rating must be between 10W minimum and 15W maximum to achieve the maximum charging speeds stated.

Rechargeable battery information:

Zhuohai Great Power Energy Co., Ltd.; Lithium battery,
3.7V 5000mAh; Model: GSP806090-5Ah-3.7V-1S1P

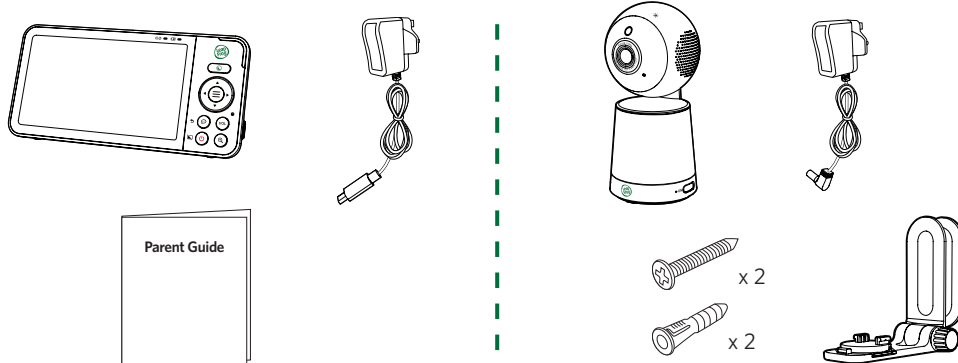
- The power adaptor is intended to be correctly oriented in a vertical or floor mount position. The prongs are not designed to hold the plug in place if it is plugged into a ceiling, under-the-table or cabinet outlet.
- For pluggable equipment, the socket-outlet (power adaptor) should be installed near the equipment and should be easily accessible.
- Unplug this product from the wall outlet before cleaning. Do not use liquid or aerosol cleaners. Use a damp cloth for cleaning.
- Do not modify the power adaptors or replace with other third-party adaptors.
- Do not allow anything to rest on the power cords. Do not install this product where the cords may be walked on or damaged.
- The product should only be operated from a power source indicated on the power adaptor label or marking. If you are unsure of the type of power supply in your home, consult your dealer or electricity supply provider.
- Do not overload wall outlets or use an extension cord.

- Do not place this product on an unstable table, shelf, stand or other unstable surfaces.
- This product should not be placed in any area where proper ventilation is not provided. Any slots or openings in the back or bottom of this product are provided for ventilation. To protect from overheating, openings must not be blocked by placing the product on a soft surface such as a bed, sofa or rug. This product should never be placed near or over a radiator or heat source.
- Never insert any objects through any apertures or slots in the product as this can be dangerous and cause damage to the battery or other internal parts. Never spill any liquids on the product.
- To reduce the risk of electric shock, do not disassemble this product, but take it to an authorised service facility. Disassembling or removing parts of the product other than battery replacement via a battery door (if applicable) may expose dangerous voltages or other risks.
- You should test the sound reception every time you turn on the units or move one of the components.
- Periodically examine all components for damage.
- There is a very low risk of privacy loss when using certain electronic devices, such as baby monitors, cordless telephones, etc. **To protect your privacy, make sure the product has never been used before purchase, reset the baby monitor periodically by powering off and then powering on the units, and power off the baby monitor if you are not intending to use it for some time.**
- Children should be supervised to ensure that they do not play with the product.
- The small parts of this monitor can be swallowed by babies or small children. Keep these parts out of reach of children.
- The product is not intended for use by persons (including children) with reduced physical, sensory or mental capabilities, or lack of experience and knowledge, unless they have been given supervision or instruction concerning use of the appliance by a person responsible for their safety.

SAVE THESE INSTRUCTIONS

- Cautions**
- Use and store the product at a temperature between 0°C and 40°C.
 - Mishandling batteries can cause burn, fire or explosion hazards.
 - Batteries should not be exposed to excessive heat such as bright sunshine or fire.
 - Do not expose the product to extreme cold, heat or direct sunlight. Do not place the product close to a heating source.
 - Warning—Strangulation Hazard—** Children have STRANGLED in cords. Keep this cord out of the reach of children (more than 0.9m away). Do not remove warning label on the adaptor cord.
 - Never place the Baby Unit inside the baby's cot or playpen. Never cover the Baby Unit or Parent Viewer with anything such as a towel or a blanket.
 - Other electronic products can cause interference to your Parent Viewer and Baby Unit. Try installing your Baby Unit as far away as possible from the following electronic devices: wireless routers, radios, mobile telephones, intercoms, room monitors, televisions, personal computers, kitchen appliances (e.g. microwave ovens) and cordless telephones.

What's Included



Download LeapFrog Baby Care+ App

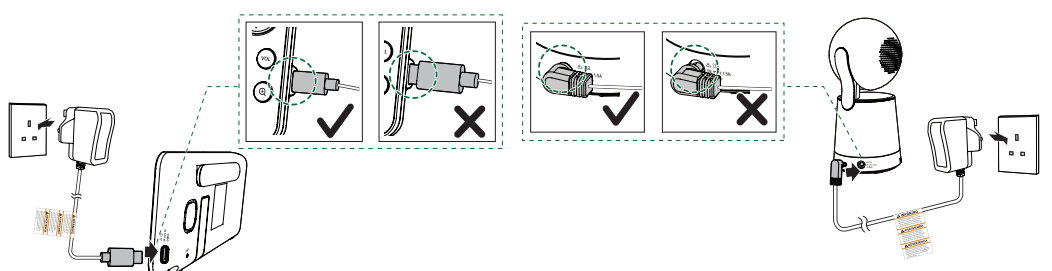
Start monitoring from anywhere.

Scan the QR code to download the free LeapFrog Baby Care+ mobile app, or search "LeapFrog Baby Care+" on Apple App Store or Google Play Store.



Connect, Charge, and Power On the Baby Monitor

1. Connect the Baby Monitor

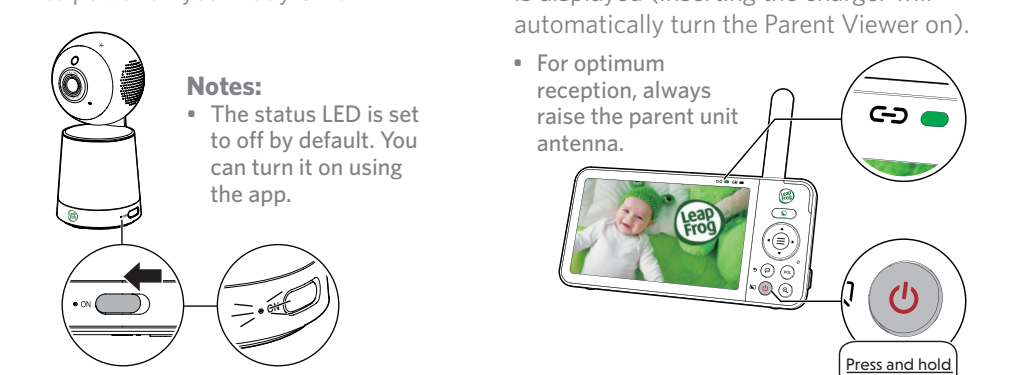


2. Charge the Parent Viewer Battery

- Notes:**
- Parent Viewer red battery LED light illuminates when the power adaptor is inserted and always remains on while the power adaptor is connected.
 - Before using the baby monitor for the first time, charge the Parent Viewer battery for 12 hours. When the Parent Viewer battery is fully charged, the battery icon segments become solid.
 - The standby time varies depending on your actual usage time and the age of the battery.

3. Power On or Off the Baby Monitor

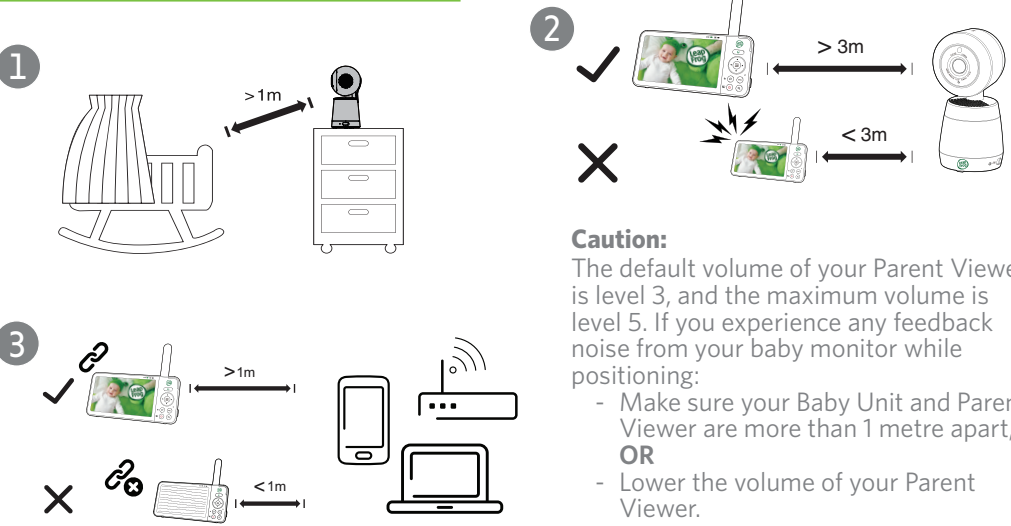
- Slide the On/Off switch to **ON** to power on your Baby Unit.
- Press and hold **Power** until the welcome screen is displayed (inserting the charger will automatically turn the Parent Viewer on).



4. Status Check

Once your Baby Unit and Parent Viewer are successfully connected, your Parent Viewer displays video from the Baby Unit, and the green **LINK** LED remains on.

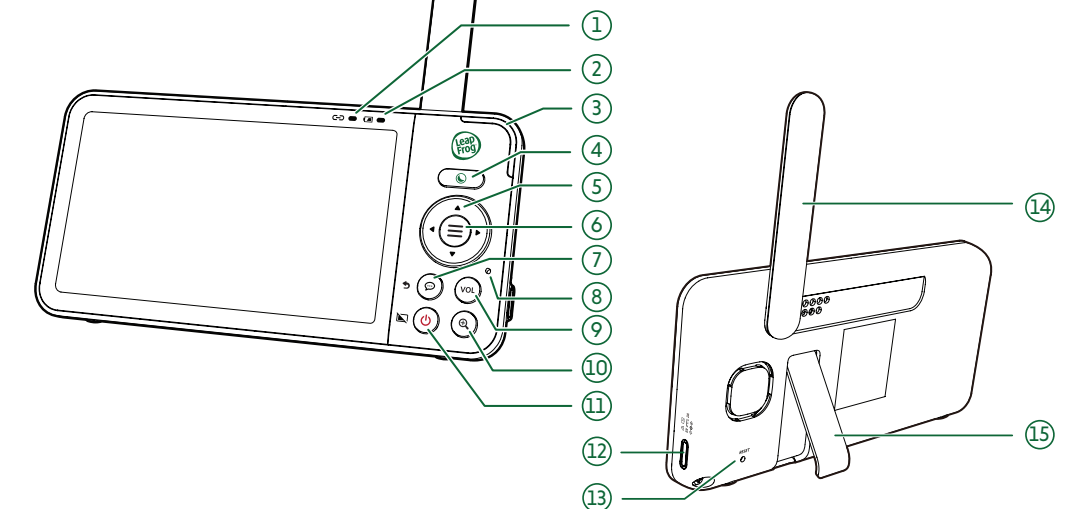
5. Positioning the Baby Monitor



- Note:**
- To avoid interference from other electronic devices, place your baby monitor at least 1 metre away from devices such as wireless routers, microwave ovens, mobile phones and computers.

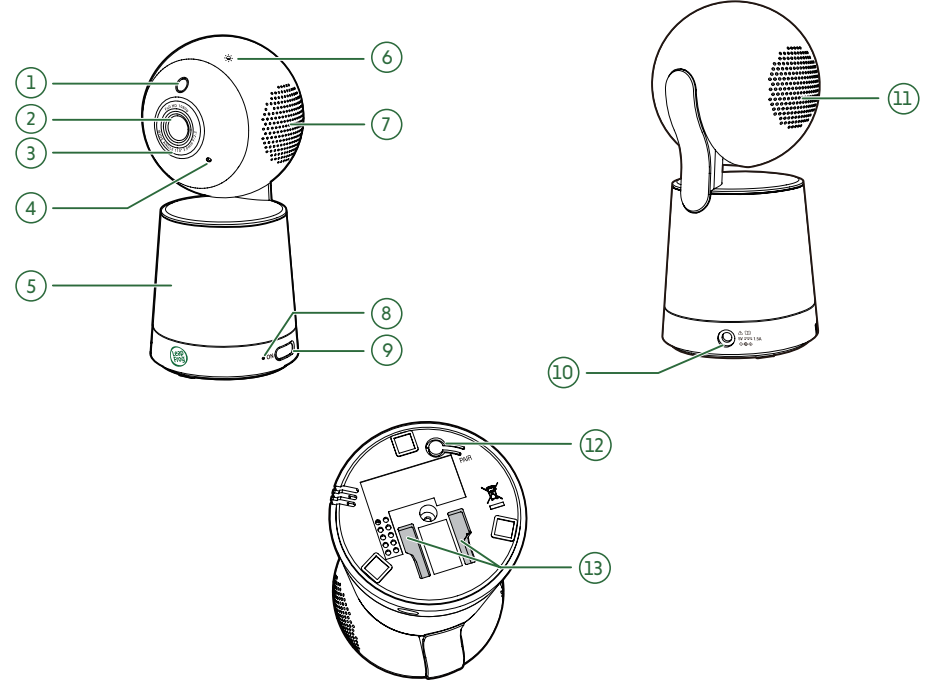
Overview

Parent Viewer



- Link LED light**
 - On when the Parent Viewer is linked to the Baby Unit.
 - Flashes when the link to the Baby Unit is lost.
- Battery LED light**
 - On when the Parent Viewer is connected to AC power, and the battery is charging.
 - Flashes when the Parent Viewer battery is low and needs to be charged.
- 3-level sound indicator light**
- Night Mode quick set key**
 - Select **black-and-white** night vision for extreme darkness or **colour** night vision for dim environments (the use of the Baby Unit night light or other supplementary light sources is required).
 - To activate night light in colour night vision, press **▲** to turn it on for 30 seconds, and press **▲** or **▼** to adjust its brightness.
- Arrow Keys**
 - Press the **VOL** key, then press **▲** or **▼** to adjust the volume.
 - Navigate within the menus.
 - Pan and tilt the camera.
- Menu / Select**
 - Press to enter the main menu.
 - While in a menu, press to confirm a selection, or save a setting.
- Talk / Return**
 - Press and hold to talk to the Baby Unit.
 - While in a sub-menu, press to exit.
- Microphone**
- VOL Volume**
 - Press to view the volume adjustment bar.
- Zoom**
 - Press to zoom in/out to different levels.
- Power / LCD Off**
 - Press and hold to turn on/off the power.
 - Press to turn on/off the LCD screen.
- USB Power jack**
- RESET**
 - Force reboot the Parent Viewer.
- Antenna**
- Stand**

Baby Unit



- Light sensor**
- Camera**
- Infrared LEDs**
- Microphone**
- Night light**
- Night light control key**
 - Single Tap: Turn on/off.
 - Tap and hold (with the light turned on): Adjust night light brightness.
- Speaker**
- Status LED**
 - Set to off by default. You can turn it on using the app (Setting > Camera Setting > LED status).
 - In direct mode:**
 - Orange is steadily on when the baby unit is connecting to the parent unit.
 - Orange flashes slowly during video streaming.
 - In Wi-Fi mode:**
 - Green is steadily on when the baby unit is connected to Wi-Fi.
 - Green flashes slowly during video streaming to Wi-Fi.
- On / Off switch**
- Power jack**
- Vents**
- PAIR key**
 - To enter pairing mode, press and hold the **PAIR** key for three seconds until you hear a beep sound. Then follow the app instructions to connect the camera to a 2.4GHz Wi-Fi network.
 - To reset the Baby Unit, press and hold the **PAIR** key until you hear a beep sound. Release the **PAIR** key and then press and release a further five times until you hear another beep sound. The Baby Unit will emit another beep when the reset is complete. After the beep sound, the Baby Unit will reboot itself.
- Wall mount slots**

Parent Viewer Icons

Main menu	Sub menu	Options
Night light	Lightbulb icon	On/Off
	Lightbulb icon	Colour
	Lightbulb icon	Brightness
	Lightbulb icon	Timer
Lullaby	Play/Stop icon	Library
	Speaker icon	Volume
	Lightbulb icon	Timer

Main menu	Sub menu	Options
Alert settings	Volume icon	Adjust the alert tone volume level.
	Person icon	Motion Detect
	Person icon	Temperature
	Person icon	Humidity
	Person icon	Low battery
	Person icon	Lost link
Help and info	Question mark icon	Help
	Video icon	How-to Video
	Information icon	System Info

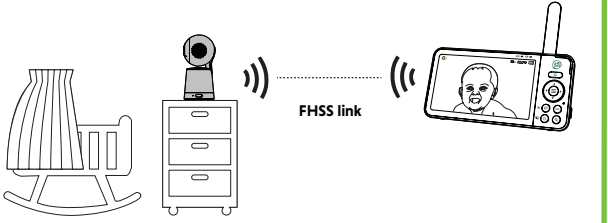
Status icons	Alert icons
Direct mode	Power icon
Wi-Fi mode	Battery icon
Temperature	
Humidity	
Low battery	
Lost link	

Two Ways to Connect Your Baby Monitor

TIP: To receive product firmware updates, this baby monitor requires connecting to a 2.4GHz home Wi-Fi network.

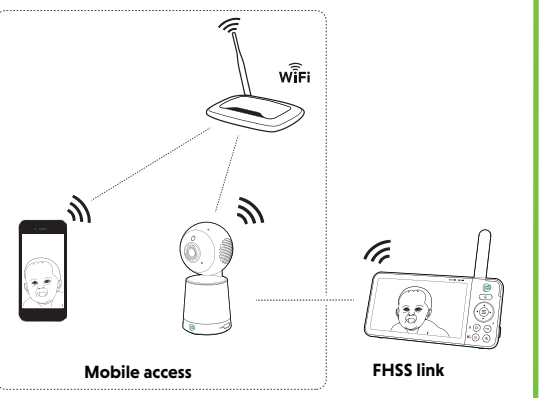
Direct mode

Your baby monitor Parent Viewer and Baby Unit connect to each other in **Direct mode** by default, which allows you to immediately stream video out of the box.



Wi-Fi mode

To enhance your experience and enjoy seamless live video streaming via your mobile app, and to receive product software updates (when available), we highly recommend setting up your monitor's Wi-Fi connection.

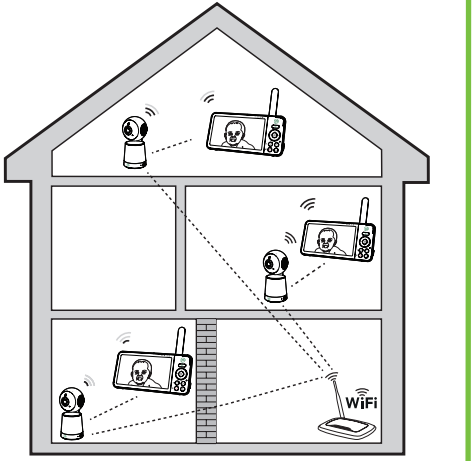


It uses your 2.4GHz home Wi-Fi network to connect your video monitor and supports live video streaming through the mobile app.

To stream live video remotely with your mobile device, download and install the **LeapFrog Baby Care+** mobile app. With the mobile app, your Wi-Fi router (not included) provides Internet connectivity to your HD video monitor system. It serves as a communication channel between your Baby Unit and mobile device, allowing you to monitor and/or control your Baby Unit wherever you are.

Test the Location

If you plan to install your Baby Unit in a designated location, and use your home Wi-Fi network to connect your video monitor, you need to test which of your selected monitoring areas within the house have good Wi-Fi signal strength. After you have powered on your Parent Viewer, you can use your Parent Viewer's **Wi-Fi signal icon(s)** to assist in checking. Once you have identified the suitable location, you can install your Baby Unit. Adjust the distance between your Baby Unit and the Wi-Fi router if needed.



- TIP:**
- Surroundings and obstructing factors, such as large metallic objects, filing cabinets, long distances, electrical appliances, and internal walls, may reduce Wi-Fi signal.

Protect Your Privacy and Online Security

LeapFrog cares about your privacy and peace of mind. That's why we've put together a list of industry-recommended best practices to help keep your wireless connection private and your devices protected when online.

Ensure your wireless connection is secure

- Before installing a device, ensure your router's wireless signal is encrypted by selecting the "WPA2-PSK with AES" setting in your router's wireless security menu.

Change default settings

- Change your wireless router's default wireless network name (SSID) to something unique.
- Change default passwords to unique, strong passwords. A strong password:
 - Is at least 10 characters long.
 - Does not contain dictionary words or personal information.
 - Contains a mix of uppercase letters, lowercase letters, special characters and numbers.

Keep your devices up to date

- Download security patches from manufacturers as soon as they become available. This will ensure you always have the latest security updates.

- If the feature is available, enable automatic updates for future releases.

Disable Universal Plug and Play (UPnP) on your router

- UPnP enabled on a router can limit the effectiveness of your firewall by allowing other network devices to open inbound ports without any intervention or approval from you. A virus or other malware program could use this function to compromise security for the entire network.

For more information on wireless connections and protecting your data, please review the following resources from industry experts:

- Federal Communications Commission: Wireless Connections and Bluetooth Security Tips - www.fcc.gov/consumers/guides/how-protect-yourself-online
- U.S. Department of Homeland Security: Before You Connect a New Computer to the Internet - www.us-cert.gov/ncas/tips/ST15-003
- Federal Trade Commission: Using IP Cameras Safely - <https://www.consumer.ftc.gov/articles/0382-using-ip-cameras-safely>
- Wi-Fi Alliance: Discover Wi-Fi Security - <http://www.wi-fi.org/discover-wi-fi/security>

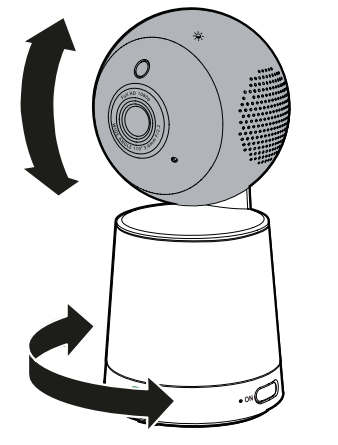
Pan and Tilt the Camera

You can use the arrow keys on the Parent Viewer to pan and tilt the camera.

- Press the **Arrow keys** ▲▼◀▶ on the Parent Viewer to move the camera accordingly, or **press and hold the Arrow keys** ▲▼◀▶ to move continuously.

OR

- Manually tilt the camera angle up and down by pushing the lens portion upwards or downwards to aim at your baby.



Customer service and product warranty

ONE YEAR PRODUCT WARRANTY

PRODUCT WARRANTY

Thank you for choosing this quality product from VTech.

- The product detailed above is covered by a one year warranty from the date of purchase, against any defects in materials or workmanship.
- The product may be returned to the place of purchase.
- If the product covered by this warranty is damaged due to misuse, modification or unauthorised repair, or because of faulty batteries, battery discharge or incorrect electrical connections, then this warranty becomes void.
- This warranty is personal to the original purchaser and is not transferable.
- Breakages to the LCD screen are not covered by the warranty.
- Damage to the antenna is not covered by the warranty.

Email: service-uk@leapfrog-babycare.eu

VTech Electronics Europe Plc, c/o XPO Logistics, Warehouse 350, Cat & Fiddle Lane, West Hallam, DE7 6HE

THIS WARRANTY IS OFFERED AS AN EXTRA BENEFIT AND DOES NOT AFFECT CONSUMERS' STATUTORY RIGHTS.

This warranty is valid for the UK and Ireland only. For products purchased outside the UK and Ireland, please contact your local distributor or place of purchase.

IMPORTANT

Please retain your sales receipt as proof of the date of purchase.

Customer Service

Please visit www.leapfrog.com/en-gb/support for product support.

Manufacturer: VTech Telecommunications Ltd.
23/F, Tai Ping Industrial Centre, Block 1, 57 Ting Kok Road, Tai Po, Hong Kong.

Importer: VTech Electronics Europe Plc.
Napier Court, Abingdon Science Park, Abingdon, Oxon, OX14 3YT.

Statement of Compliance

Product Security and Telecommunications Infrastructure Regulations

I, Lawrence Lo, on behalf of VTech Telecommunications Limited, hereby declare the following with regards to our products and their compliance with The Product Security and Telecommunications Infrastructure (Security Requirements for Relevant Connectable Products) Regulations 2023 in the United Kingdom.

Product Information:
Product name: 5" High Definition Wi-Fi Pan & Tilt Monitor
Product Model: LF4915HD
Product Description: Baby monitor
Defined support period: Minimum of four years from date of purchase.

The above-mentioned product has been designed, developed, and manufactured in accordance with the applicable security requirements in Schedule 1, prescribed in The Product Security and Telecommunications Infrastructure (Security Requirements for Relevant Connectable Products) Regulations 2023.

This Statement of Compliance is made in good faith, based on the information available to us at the time of issue.

Yours sincerely,

Lawrence Lo
Engineering manager
VTech Telecommunications Limited
23/F, Tai Ping Industrial Centre, Block 1,
57 Ting Kok Road, Tai Po,
Hong Kong
Date: 18th March, 2025

Android™ and Google Play™ are trademarks of Google Inc.
App Store is a trademark of Apple Inc., registered in the U.S. and other countries.
iOS is a trademark or registered trademark of Cisco in the U.S. and other countries and is used under license.

Customer Support



Find the answer to your questions and get assisted at your own pace.

Scan the QR code to access the **Online Manual** or visit www.leapfrog.com/en-gb/support.

Technical Specifications

Frequency	Baby Unit: 2402 - 2480 MHz (WiFi, FHSS, BLE) Max Transmit power is 10mW (WiFi, FHSS, BLE)
LCD	Parent Viewer: 2406 - 2475 Mhz Max Transmit power is 100mW
Nominal effective range	Actual operating range may vary according to environmental conditions at the time of use.
Power requirements	Parent Viewer battery: 3.7V 5000mAh Lithium-ion battery Baby Unit power adaptor: Output: 5V DC @ 1.5A Parent Viewer power adaptor: Output: 5V DC @ 2A

Disposal of batteries and product

- The crossed-out wheelite bin symbols on products and batteries, or on their respective packaging, indicates they must not be disposed of in domestic waste as they contain substances that can be damaging to the environment and human health.
 - The chemical symbols Hg, Cd or Pb, where marked, indicate that the battery contains more than the specified value of mercury (Hg), cadmium (Cd) or lead (Pb) set out in Battery Directive (2006/66/EC). The solid bar indicates that the product was placed on the market after 13th August, 2005.
- Help protect the environment by disposing of your product or batteries responsibly.

Declaration of Conformity

This product is intended for use within UK and Ireland. This equipment complies with the essential requirements to EU Radio Equipment Directive (2014/53/EU) and the UK Radio Regulations 2017 on radio systems and telecommunication equipment. LeapFrog Enterprises, Inc., a subsidiary of VTech Holdings Limited hereby declares that 5" High Definition Wi-Fi Pan & Tilt Monitor LF4915HD complies with the essential requirements and other relevant provisions of EU Radio Equipment Directive (2014/53/EU) and UK Radio Equipment Regulations 2017. The Declaration of Conformity for the LF4915HD is available from www.leapfrog.com/en-gb/legal/euodc.

Specifications are subject to change without notice.
© 2025 LeapFrog Enterprises, Inc.
a subsidiary of VTech Holdings Limited.
All rights reserved. 09/25. LF4915HD_QSG_UK_V1

