



5" WiFi High Definition Video Monitor

LF815HD
LF815-2HD



Parent Guide (Canada)

This guide contains important information.
Please keep it for future reference.

Need help?

Visit leapfrog.ca/support

Visit our website leapfrog.ca for more information
about products, downloads, resources and more.



CONFORMS TO
UL STD.
62368-1
CERTIFIED TO
CSA STD.
C22.2 NO. 62368-1

Scan the QR
code to enter our
support site:



Or go to leapfrog.ca/support

Important Safety Instructions

The applied nameplate is located at the bottom of the Baby Unit's base. When using your equipment, basic safety precautions should always be followed to reduce the risk of fire, electric shock and injury, including the following:

1. Follow all warnings and instructions marked on the product.
2. Adult setup is required.
3. **CAUTION:** Do not install the Baby Unit at a height above 2 meters.
4. This product is not a substitute for adult supervision of the infant. Supervising the infant is the parent's or caregiver's responsibility. This product could cease operating, and therefore you should not assume it will continue working properly for any given period of time. Further, this is not a medical device and should not be used as such. This product is intended to assist you in supervising your baby.
5. Do not use this product near water. For example, do not use it next to a bath tub, wash bowl, kitchen sink, laundry tub or swimming pool, or in a wet basement or shower.
6. **CAUTION:** Use only the battery provided. There may be a risk of explosion if a wrong type of battery is used for the Parent Viewer. The battery cannot be subjected to high or low extreme temperature and low air pressure at high altitude during use, storage or transportation. Disposal of battery into fire or a hot oven, or mechanically crushing or cutting or the battery can result in an explosion. Leaving the battery in an extremely high temperature surrounding environment can result in an explosion or the leakage of flammable liquid or gas. Battery subjected to extremely low air pressure may result in an explosion or the leakage of flammable liquid or gas. Dispose of used battery according to the information in **The RBRC seal**.
7. Use only the adapters included with this product. Incorrect adapter polarity or voltage can seriously damage the product.



Power adapter information:

Baby Unit Output: 5V DC 1A;
VTech Telecommunications Ltd.; Model: VT05EUS05100
Parent Viewer Output: 5V DC 2A;
VTech Telecommunications Ltd.; Model: VT07EUS05200



Rechargeable battery information:



Zhuhai Great Power Energy Co., Ltd.; Lithium battery,
3.7V 5000mAh; Model: GSP806090-5Ah-3.7V-1S1P

8. The power adapters are intended to be correctly oriented in a vertical or floor mount position. The prongs are not designed to hold the plug in place if it is plugged into a ceiling, under-the-table or cabinet outlet.
9. For pluggable equipment, the socket-outlet shall be installed near the equipment and shall be easily accessible.
10. Unplug this product from the wall outlet before cleaning.
11. Do not use liquid or aerosol cleaners. Use a damp cloth for cleaning. Do not cut off the power adapters to replace them with other plugs, as this causes a hazardous situation.
12. Do not allow anything to rest on the power cords. Do not install this product where the cords may be walked on or crimped.
13. This product should be operated only from the type of power source indicated on the marking label. If you are not sure of the type of power supply in your home, consult your dealer or local power company.
14. Do not overload wall outlets or use an extension cord.
15. Do not place this product on an unstable table, shelf, stand or other unstable surfaces.
16. This product should not be placed in any area where proper ventilation is not provided. Slots and openings in the back or bottom of this product are provided for ventilation. To protect them from overheating, these openings must not be blocked by placing the product on a soft surface such as a bed, sofa or rug. This product should never be placed near or over a radiator or heat register.

17. Never push objects of any kind into this product through the slots because they may touch dangerous voltage points or create a short circuit. Never spill liquid of any kind on the product.
18. To reduce the risk of electric shock, do not disassemble this product, but take it to an authorized service facility. Opening or removing parts of the product other than specified access doors may expose you to dangerous voltages or other risks. Incorrect reassembling can cause electric shock when the product is subsequently used.
19. You should test the sound reception every time you turn on the units or move one of the components.
20. Periodically examine all components for damage.
21. There is a very low risk of privacy loss when using certain electronic devices, such as baby monitors, cordless telephones, etc. To protect your privacy, make sure the product has never been used before purchase, reset the baby monitor periodically by powering off and then powering on the units, and power off the baby monitor if you will not use it for some time.
22. Children should be supervised to ensure that they do not play with the product.
23. The product is not intended for use by persons (including children) with reduced physical, sensory or mental capabilities, or lack of experience and knowledge, unless they have been given supervision or instruction concerning use of the appliance by a person responsible for their safety.

SAVE THESE INSTRUCTIONS

Cautions

1. Use and store the product at a temperature between 32°F (0°C) and 104°F (40°C).
2. Do not expose the product to extreme cold, heat or direct sunlight. Do not put the product close to a heating source.
3. Batteries should not be exposed to excessive heat such as bright sunshine or fire.
4.  Warning—Strangulation Hazard—Children have STRANGLED in cords. Keep this cord out of the reach of children (more than 3 ft (0.9m) away).  Do not remove this tag.
5. Never place the Baby Unit(s) inside the baby's crib or playpen. Never cover the Baby Unit(s) or Parent Viewer with anything such as a towel or a blanket.
6. Other electronic products may cause interference with your baby monitor. Try installing your baby monitor as far away from these electronic devices as possible: wireless routers, radios, cellular telephones, intercoms, room monitors, televisions, personal computers, kitchen appliances and cordless telephones.

Precautions for users of implanted cardiac pacemakers

Cardiac pacemakers (applies only to digital cordless devices): Wireless Technology Research, LLC (WTR), an independent research entity, led a multidisciplinary evaluation of the interference between portable wireless devices and implanted cardiac pacemakers. Supported by the U.S. Food and Drug Administration, WTR recommends to physicians that:

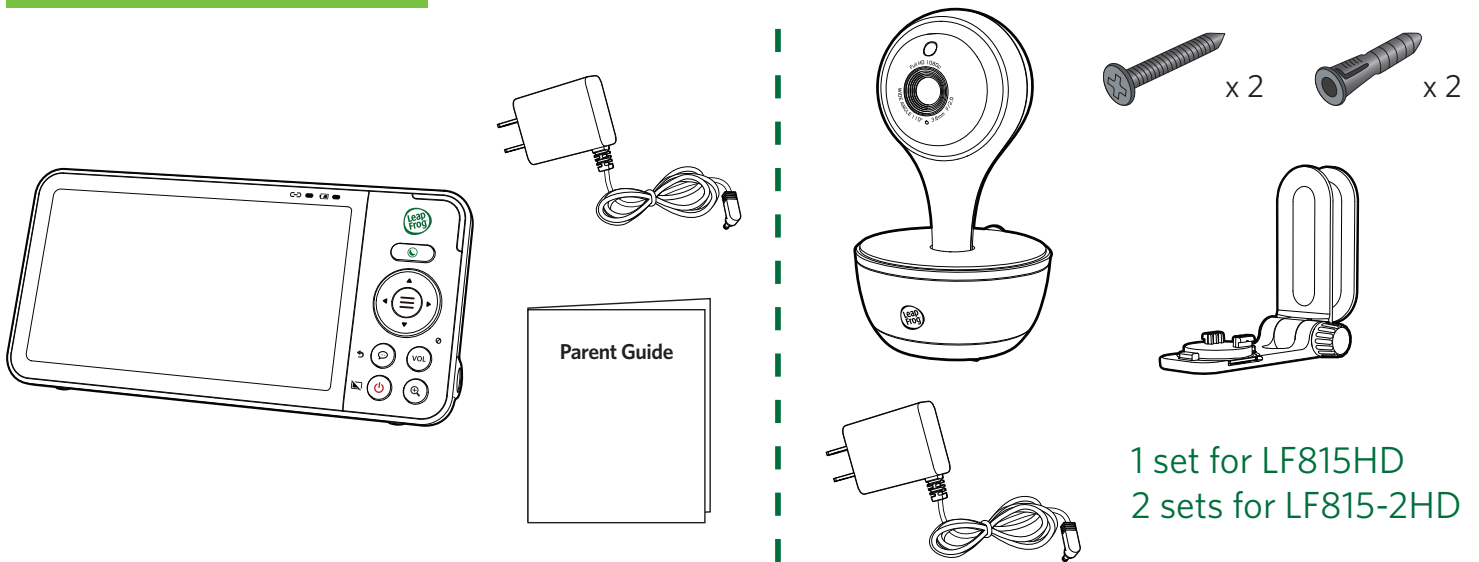
Pacemaker patients

- Should keep wireless devices at least six inches from the pacemaker.
 - Should NOT place wireless devices directly over the pacemaker, such as in a breast pocket, when it is turned ON.
- WTR's evaluation did not identify any risk to bystanders with pacemakers from other persons using wireless devices.

Electromagnetic fields (EMF)

This LeapFrog product complies with all standards regarding electromagnetic fields (EMF). If handled properly and according to the instructions in this user's manual, the product is safe to be used based on scientific evidence available today.

What's Included



Download LeapFrog Baby Care App

Start monitoring from anywhere.

Scan the QR code to download the free LeapFrog Baby Care mobile app, or search "LeapFrog Baby Care" on Apple App Store or Google Play Store.

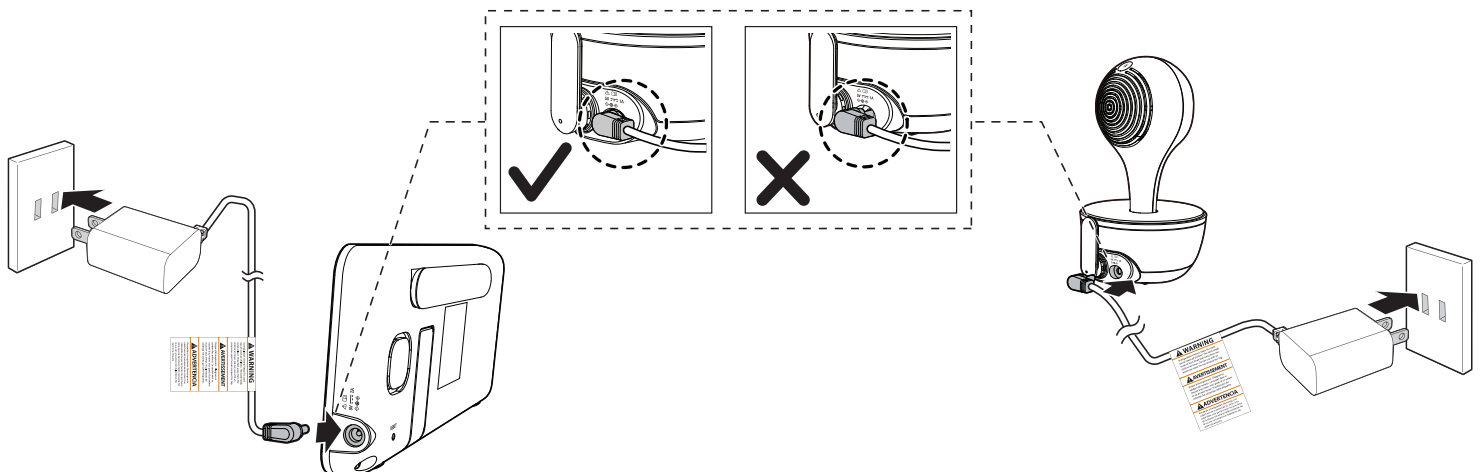


App Compatibility

- Android™ 6.0 or later
- iOS 12.0 or later.


Connect, Charge, and Power On the Baby Monitor

1. Connect the Baby Monitor






2. Charge the Parent Viewer Battery

Notes:

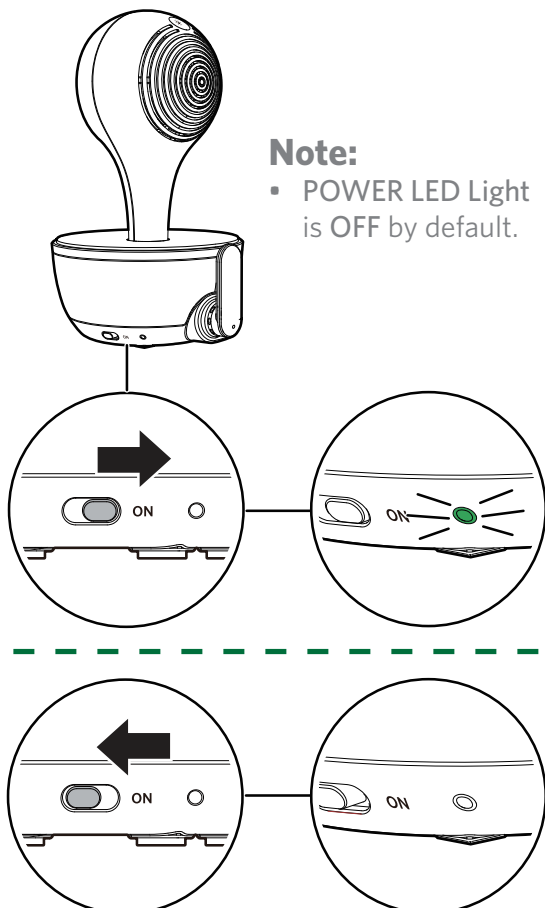
- Before using the baby monitor for the first time, charge the Parent Viewer battery for 12 hours. When the Parent Viewer battery is fully charged, the battery icon becomes solid .
- The standby time varies depending on your actual usage time and the age of the battery.

The battery icon on the screen indicates the battery status:

Battery Indicators	Battery Status	Action
The screen displays  The  light flashes.	The battery is low in power and may only be used for a short time.	Charge without interruption (about 30 minutes).
The battery icon becomes solid  .	The battery is fully charged.	To keep the battery charged, connect it to AC power when not in use.

3. Power On or Off the Baby Monitor

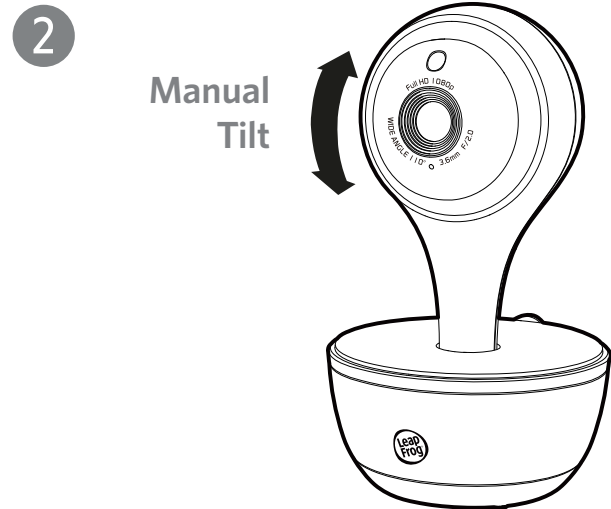
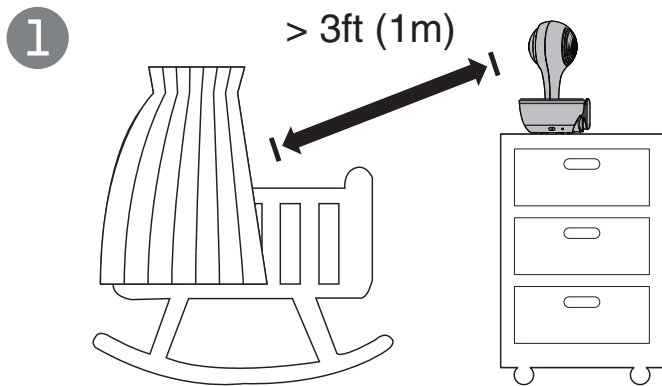
1. Slide the On/Off switch to **ON** to power on your Baby Unit.
2. Press and hold  until the welcome screen appears.



4. Status Check

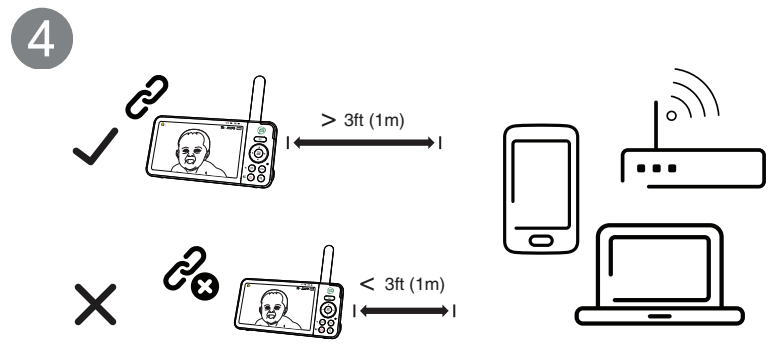
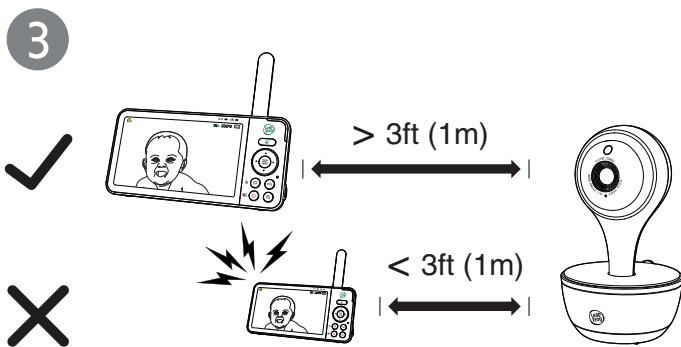
Once your Baby Unit and Parent Viewer are powered on and connected, your Parent Viewer displays video from Baby Unit, and the  LINK LED light turns on.

5. Positioning the Baby Monitor



Tip: Want to mount Baby Unit on the wall?

Visit our Online Manual to find the wall mounting tutorial video and step-by-step guide.



Note:

To avoid interference from other electronic devices, place your baby monitor at least 3 feet (1 meter) away from devices such as wireless routers, microwaves, cell phones and computers.

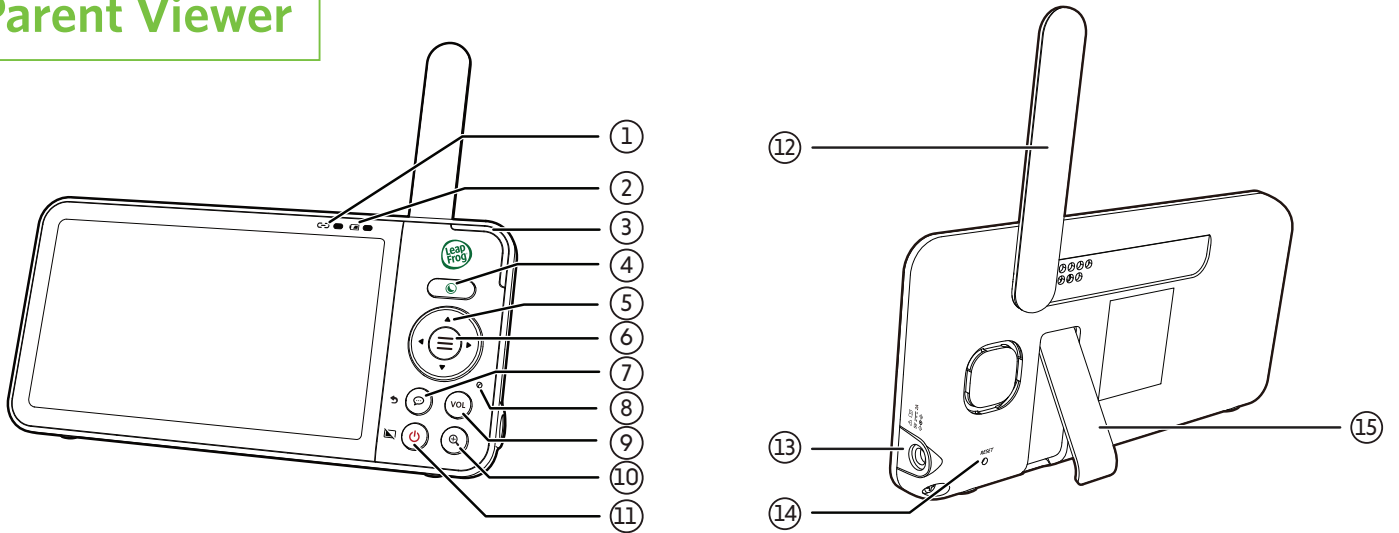
Caution:

The default volume of your Parent Viewer is level 3, and the maximum volume is level 5. If you experience a screeching noise from your baby monitor while positioning:

- Make sure your Baby Unit and Parent Viewer are more than 3 feet (1 meter) apart, **OR**
- Lower the volume of your Parent Viewer.

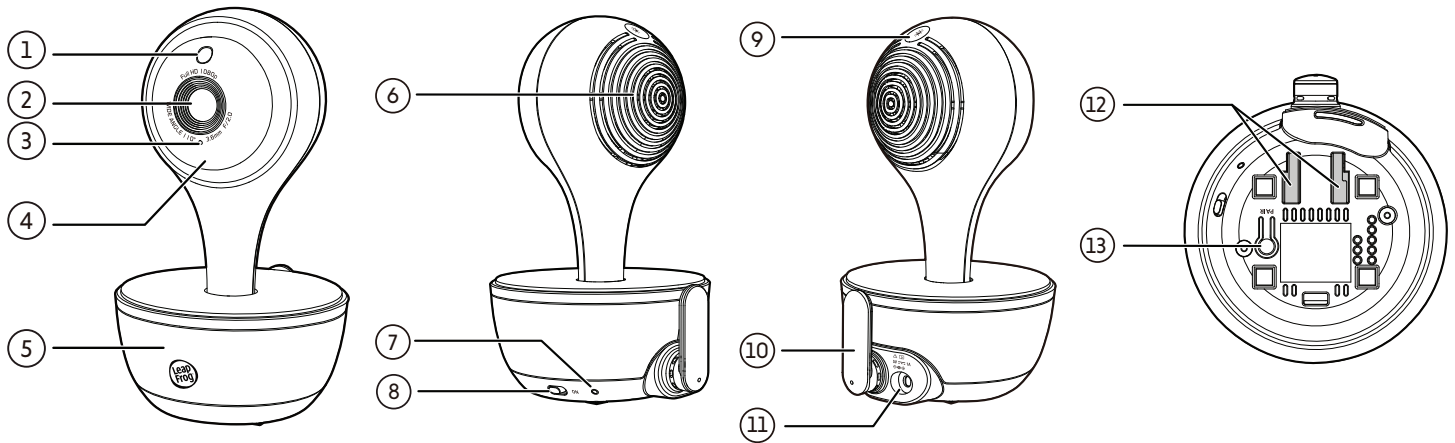
Overview

Parent Viewer



- | | | |
|--|--|----------------------------|
| 1 Link LED light | 5 Arrow Keys | 10 Zoom |
| 2 Battery LED light | 6 Menu / Select | 11 Power / LCD Off |
| 3 3-level sound indicator light | 7 Talk / Return | 12 Antenna |
| 4 Night Mode quick set key <ul style="list-style-type: none"> ▪ Select black-and-white or color night vision viewing mode. ▪ Adjust night light brightness. | 8 Microphone | 13 Power jack |
| | 9 VOL Volume <ul style="list-style-type: none"> ▪ View the volume adjustment bar. | 14 RESET |
| | | 15 Stand |

Baby Unit

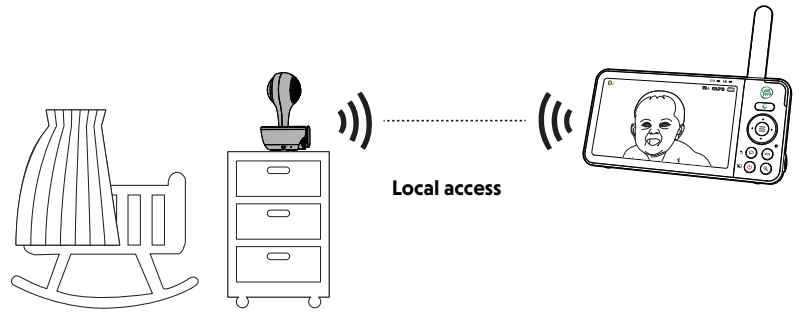


- | | |
|--------------------------|--|
| 1 Light sensor | 9 Night light control key <ul style="list-style-type: none"> ▪ Press to turn the night light on or off. ▪ <u>Tap and hold</u> to adjust the brightness level. |
| 2 Camera | 10 Antenna |
| 3 Microphone | 11 Power jack |
| 4 Infrared LEDs | 12 Wall mount holes |
| 5 Night light | 13 PAIR key <ul style="list-style-type: none"> ▪ The Parent Viewer and Baby Unit(s) provided are already paired. |
| 6 Speaker | |
| 7 POWER LED Light | |
| 8 On / Off switch | |

Three Ways to Connect Your Baby Monitor

Direct mode

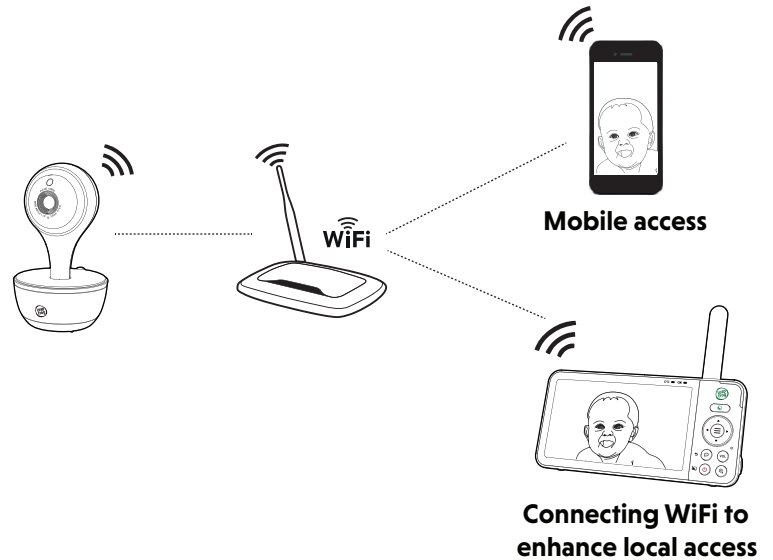
The Parent Viewer and the Baby Unit are pre-paired and can connect to each other directly in **Direct mode** by default, which allows you to stream live video right out of the box.



Wi-Fi Router mode

Router mode uses your home Wi-Fi network to connect your baby monitor system. It enhances your local access by extending connection range.

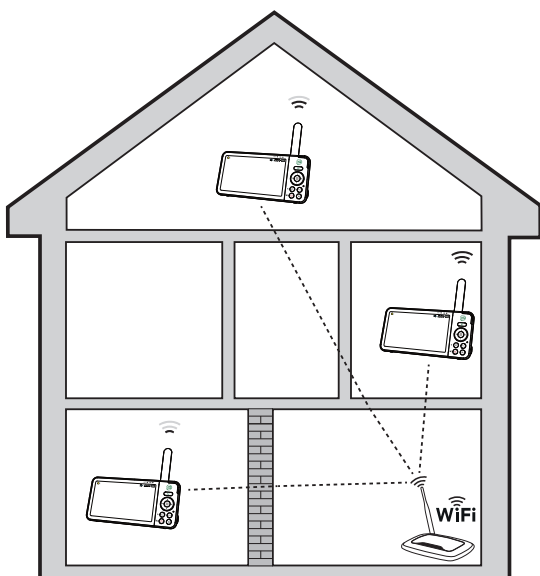
With the LeapFrog mobile app, your Wi-Fi router (not included) also provides Internet connectivity to your baby monitor system, allowing you to control your Baby Unit wherever you are.



Auto mode

The Parent Viewer will automatically select the most reliable connection mode (Direct or Wi-Fi) when connecting to the Baby Unit(s). Mobile app access will not be interrupted in Auto mode.

Test the Location



If you plan to install your Baby Unit to a designated location, and will use your home Wi-Fi network to connect your video monitor, test whether your selected monitoring areas have good Wi-Fi signal strength.

Check the Parent Viewer's Wi-Fi signal strength by going to:



> **Configure Wifi** > **Connection Status.**

Adjust the direction and distance between your Baby Unit, Parent Viewer, and Wi-Fi router until you have identified a suitable location with good connection.

Protect Your Privacy and Online Security

LeapFrog cares about your privacy and peace of mind. That's why we've put together a list of industry-recommended best practices to help keep your wireless connection private and your devices protected when online.

Ensure your wireless connection is secure

- Before installing a device, ensure your router's wireless signal is encrypted by selecting the "WPA2-PSK with AES" setting in your router's wireless security menu.

Change default settings

- Change your wireless router's default wireless network name (SSID) to something unique.
- Change default passwords to unique, strong passwords. A strong password:
 - Is at least 10 characters long.
 - Does not contain dictionary words or personal information.
 - Contains a mix of uppercase letters, lowercase letters, special characters and numbers.

Keep your devices up to date

- Download security patches from manufacturers as soon as they become available. This will ensure you always have the latest security updates.

- If the feature is available, enable automatic updates for future releases.

Disable Universal Plug and Play (UPnP) on your router

- UPnP enabled on a router can limit the effectiveness of your firewall by allowing other network devices to open inbound ports without any intervention or approval from you. A virus or other malware program could use this function to compromise security for the entire network.



For more information on wireless connections and protecting your data, please review the following resources from industry experts:

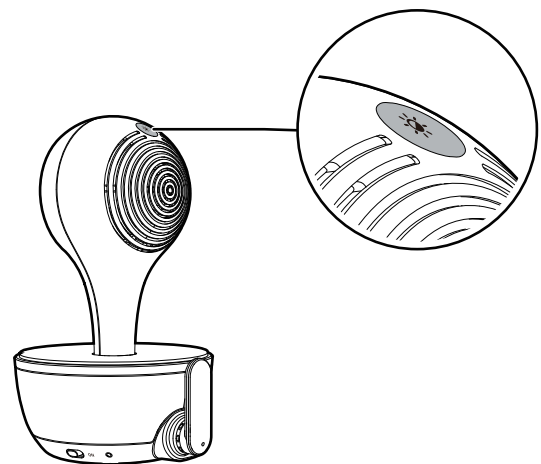
1. Federal Communications Commission: Wireless Connections and Bluetooth Security Tips - www.fcc.gov/consumers/guides/how-protect-yourself-online.
2. U.S. Department of Homeland Security: Before You Connect a New Computer to the Internet - www.us-cert.gov/ncas/tips/ST15-003.
3. Federal Trade Commission: Using IP Cameras Safely - <https://www.consumer.ftc.gov/articles/0382-using-ip-cameras-safely>.
4. Wi-Fi Alliance: Discover Wi-Fi Security - <http://www.wi-fi.org/discover-wi-fi/security>.

Night Light

Want a softer hue from the Baby Unit's night light to relax your little one? You can control the brightness of its glow remotely from your Parent Viewer, or directly on the Baby Unit.

Adjust the night light on Baby Unit

- Tap the **Night light control key**  located on the top of Baby Unit to turn on and turn off the night light.
- Tap and hold the **Night light control key**  to adjust the night light's brightness level.



Note:

- If Auto Brightness has been pre-selected, any adjustment in night light brightness (either on Baby Unit or Parent Viewer) will automatically turn off Auto Brightness mode and switch to the fixed brightness level.

The RBRC seal



The RBRC seal on the Li-ion battery indicates that VTech Communications, Inc. is voluntarily participating in an industry program to collect and recycle these batteries at the end of their useful lives, when taken out of service within the United States and Canada. The program provides a convenient alternative to placing used Li-ion batteries into the trash or municipal waste, which may be illegal in your area.

VTech's participation makes it easy for you to drop off the spent battery at local retailers participating in the program or at authorized VTech product service centers. Please call 1 (800) 8 BATTERY® for information on Li-ion battery recycling and disposal bans/restrictions in your area. VTech's involvement in this program is part of its commitment to protecting your environment and conserving natural resources.

The RBRC Seal and 1 (800) 8 BATTERY® are registered trademarks of Call2recycle, Inc.

Disclaimer and Limitation of Liability

LeapFrog and its suppliers assume no responsibility for any damage or loss resulting from the use of this handbook. LeapFrog and its suppliers assume no responsibility for any loss or claims by third parties that may arise through the use of this software. LeapFrog and its suppliers assume no responsibility for any damage or loss caused by deletion of data as a result of malfunction, dead battery, or repairs. Be sure to make backup copies of important data on other media to protect against data loss.

THIS DEVICE COMPLIES WITH PART 15 OF THE FCC RULES. OPERATION IS SUBJECT TO THE FOLLOWING TWO CONDITIONS: (1) THIS DEVICE MAY NOT CAUSE HARMFUL INTERFERENCE, AND (2) THIS DEVICE MUST ACCEPT ANY INTERFERENCE RECEIVED, INCLUDING INTERFERENCE THAT MAY CAUSE UNDESIRE OPERATION.

CAN ICES-3 (B)/NMB-3(B)

Caution: Changes or modifications not expressly approved by the party responsible for compliance could void the user's authority to operate the equipment.

Warranty: Please visit our website at leapfrog.com for full details of the warranty provided in your country.

FCC and IC regulations

FCC Part 15

This equipment has been tested and found to comply with the requirements for a Class B digital device under Part 15 of the Federal Communications Commission (FCC) rules. These requirements are intended to provide reasonable protection against harmful interference in a residential installation. This equipment generates, uses and can radiate radio frequency energy and, if not installed and used in accordance with the instructions, may cause harmful interference to radio communications. However, there is no guarantee that interference will not occur in a particular installation. If this equipment does cause harmful interference to radio or television reception, which can be determined by turning the equipment off and on, the user is encouraged to try to correct the interference by one or more of the following measures:

- Reorient or relocate the receiving antenna.
- Increase the separation between the equipment and receiver.
- Connect the equipment into an outlet on a circuit different from that to which the receiver is connected.
- Consult the dealer or an experienced radio/TV technician for help.

WARNING: Changes or modifications to this equipment not expressly approved by the party responsible for compliance could void the user's authority to operate the equipment.

This device complies with Part 15 of the FCC rules. Operation is subject to the following two conditions: (1) this device may not cause harmful interference, and (2) this device must accept any interference received, including interference that may cause undesired operation.

To ensure safety of users, the FCC has established criteria for the amount of radio frequency energy that can be safely absorbed by a user or bystander according to the intended usage of the product. This product has been tested and found to comply with the FCC criteria. The Baby Unit shall be installed and used such that parts of all persons' body are maintained at a distance of approximately 8 in (20 cm) or more. The transmitter and antenna of the Parent Viewer shall be held at least 1 in (2.5 cm) from your face.

This Class B digital apparatus complies with Canadian requirement: CAN ICES-3 (B)/NMB-3(B)

Industry Canada

This device contains licence-exempt transmitter(s)/receiver(s) that comply with Innovation, Science and Economic Development Canada's licence-exempt RSS(s). Operation is subject to the following two conditions: (1) This device may not cause interference. (2) This device must accept any interference, including interference that may cause undesired operation of the device.

The term "IC:" before the certification/registration number only signifies that the Industry Canada technical specifications were met.

This product meets the applicable Innovation, Science and Economic Development Canada technical specifications.

RF radiation exposure statement

The product complies with FCC RF radiation exposure limits set forth for an uncontrolled environment. The Baby Unit should be installed and operated with a minimum distance of 8 in (20 cm) between the Baby Unit and all persons' body. Use of other accessories may not ensure compliance with FCC RF exposure guidelines. This equipment complies also with Industry Canada RSS-102 with respect to Canada's Health Code 6 for Exposure of Humans to RF Fields.

Customer Support

Find the Answer to Your Questions

Contact Customer Support with your inquiries or get assisted at your own pace and learn what your monitor is capable of through the full Online Manual.

Learn more about what information you can find:



Full Manual

Comprehensive help articles on product set up, operations, Wi-Fi and settings.



Video Tutorials

Walk-throughs on features and installation such as mounting the Baby Unit on the wall.



FAQs & Troubleshooting

Answers to the most commonly asked questions, including troubleshooting solutions.



Scan the QR code to access our website 24/7 or visit leapfrog.ca/support



Call our **Customer Service number** from Monday to Friday 9am - 6pm Central Time United States & Canada: 1 (800) 701-5327

Technical Specifications

Technology	Wi-Fi 2.4GHz 802.11 b/g/n
Channels	1-11 (2412-2462 MHz)
Internet Connection	Minimum Requirement: 1.5 Mbps @ 720p or 2.5 Mbps @1080p upload bandwidth per Baby Unit
LCD	5" Color LCD (IPS 1280x720 pixels)
Nominal effective range	Maximum power allowed by FCC and IC. Actual operating range may vary according to environmental conditions at the time of use.
Power requirements	Parent Viewer: 3.7V 5000mAh Lithium-ion battery Baby Unit power adapter: Output: 5V DC @ 1A Parent Viewer power adapter: Output: 5V DC @ 2A

Credits:

The Background Noise sound file was created by Caroline Ford, and is used under the Creative Commons license.

The Stream Noise sound file was created by Caroline Ford, and is used under the Creative Commons license.

The Crickets At Night sound file was created by Mike Koenig, and is used under the Creative Commons license.

The Heart Beat sound file was created by Zarabadeu, and is used under the Creative Commons license.

Warranty

Please visit our website at leapfrog.ca for full details of the warranty provided in your country.



Specifications are subject to change without notice.
© 2021 LeapFrog Enterprises, Inc.
a subsidiary of VTech Holdings Limited.
All rights reserved. 10/21. LF815-XHD_QSG_V4.